
SO DIMM Sockel RoHS conform

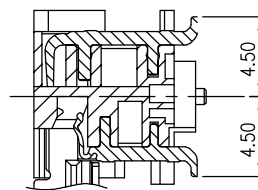
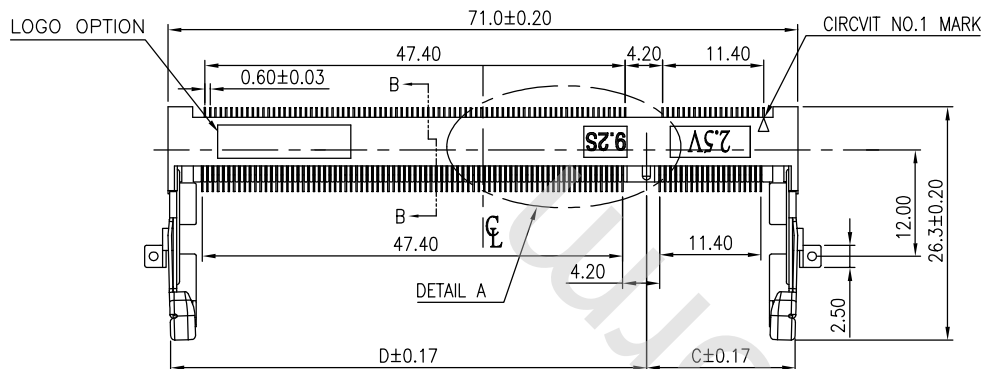
Order Information

SODIMM	xxx	x	xx	T	xx	A
	Contacts 200 144	Version Standard Reverse	Height 4.0 mm 5.2 mm 9.2 mm	Packing code T = Tray	Power supply 1.8V 2.5V 3.3V 5.0V	Revision A

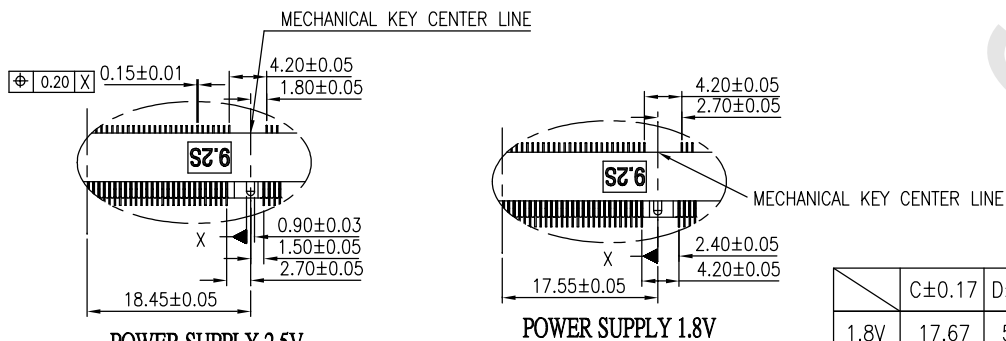
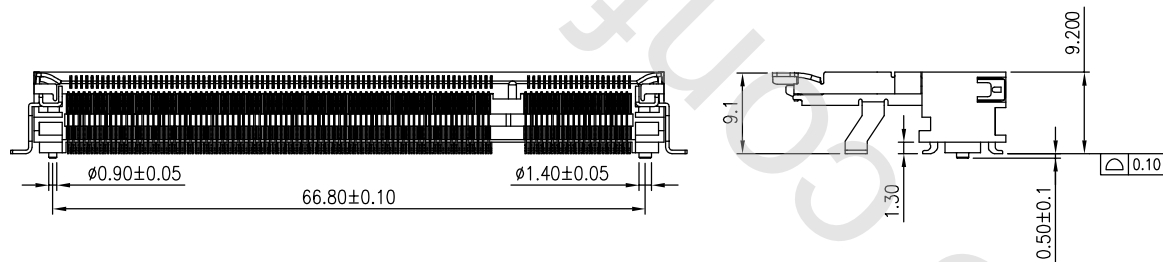
Kontaktdaten:

Deutschland:
 admatec GmbH ♦ Wendenstrasse 29 ♦ D - 20097 Hamburg
 fon: +49(0)40-238533-0 ♦ fax: +49(0)40-238533-11
 web: www.admatec.de ♦ e-mail: info@admatec.de

Schweiz:
 admatec AG ♦ Schareggstrasse 3 ♦ CH – 5506 Mägenwil
 fon: +41(0)62-8960048 ♦ fax: +41(0)62-8962580
 web: www.admatec.ch ♦ e-mail: info@admatec.ch



DETAIL: B-B
SCALE: 2/1



POWER SUPPLY 2.5V

POWER SUPPLY 1.8V

DETAIL A VOLTAGE OPTION

	C±0.17	D±0.17
1.8V	17.67	52.77
2.5V	16.77	53.67

NOTES:

1. MATERIAL:

- 1.1 HOUSING: LCP WITH 30% G.F. UL 94V-0, IVORY.
- 1.2 CONTACT: BRASS
- 1.3 LATCH: STAINLESS

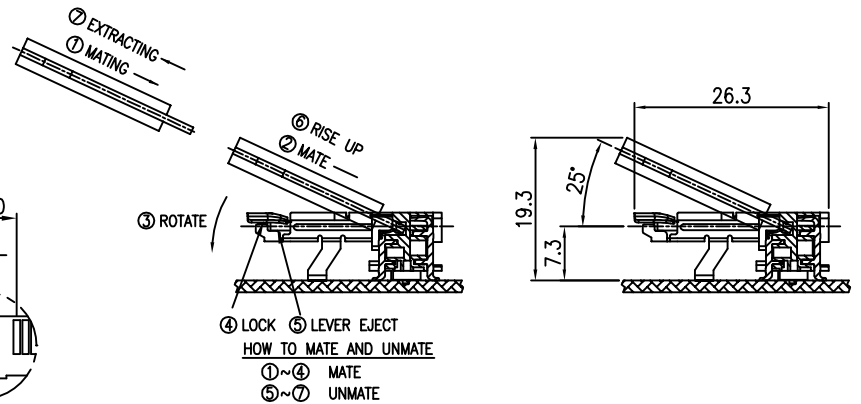
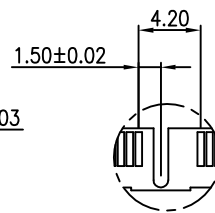
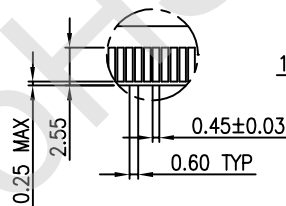
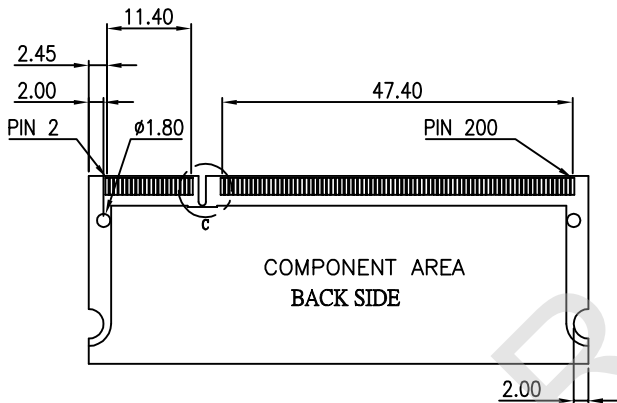
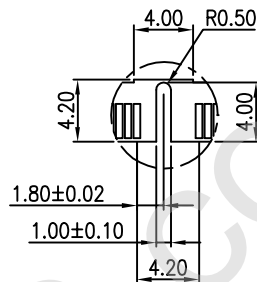
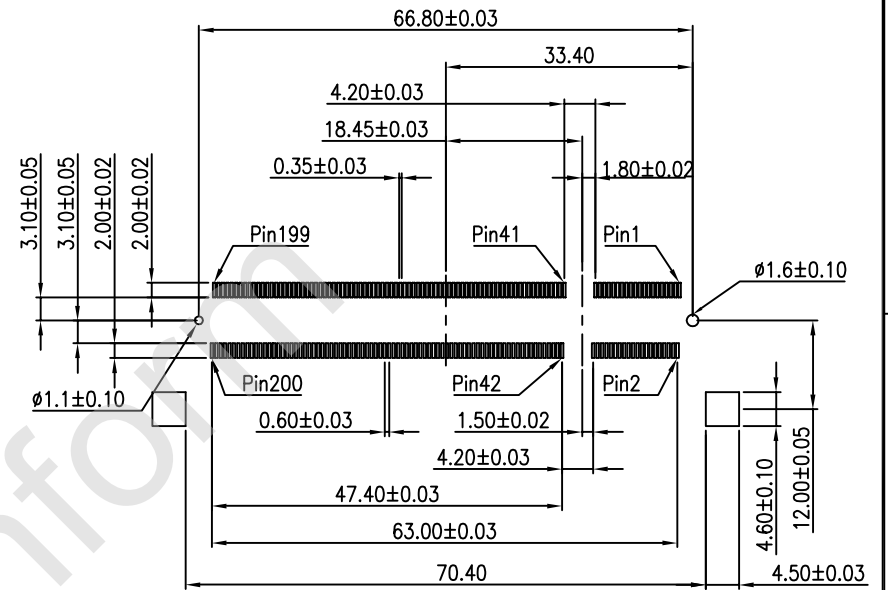
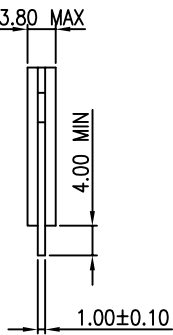
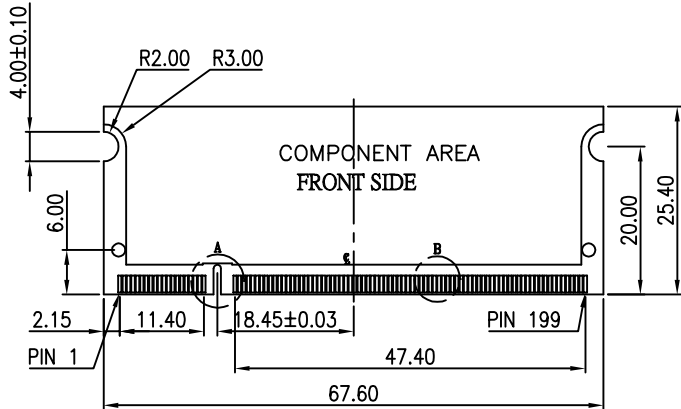
2. FINISH:

- 2.1 CONTACT: GOLD PLATED ON CONTACT & SOLDERING END OVER 50u" MIN. NICKEL UNDER-PLATING.
- 2.2 LATCH: 60~100u" SN ONLY (MATTE) PLATING OVER 50u" MIN. NICKEL UNDERPLATING

TOLERANCES UNLESS OTHERWISE SPECIFIED		DWN	ashun 14-FEB-2006		SODIMM200S92T
.X ±0.38	X. ±2'	C	NAME		
.XX ±0.25	.X ±1'		DDR S.O.DIMM SOCKET 0.6MM PITCH, 200 PIN , 9.2 MM HEIGHT, STANDARD B-TYPE (RoHS)		
.XXX ±0.15			APVD	UNITS	MM
MATERIAL		SEE NOTE		SIZE	A
FINISH		SEE NOTE		DRAWING NO	S102240-1
				REV	A3
				CAD SCALE	1 : 1
				SHEET	1 OF 3

A3	NEW RELEASED	EN950209	14-FEB-2006
A2	NEW RELEASED	EN941216	29-DEC-2005
A1	NEW RELEASED	EN940907	03-OCT-2005
A0	NEW RELEASED	EN940803	18-AUG-2005
LTR	REVISION RECORD	ECN	DATE

METRIC
3RD ANGLE PROJECTION

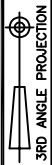


RECOMMENDED MODULE CONFIGURATION.

TOLERANCES UNLESS OTHERWISE SPECIFIED		DWN	ashun 14-FEB-2006		SODIMM200S92T ¹
.X ±0.38	X. ±2'	CHK	NAME		
.XX ±0.25	.X ±1'	MATERIAL	APVD		DDR S.O.DIMM SOCKET 0.6MM PITCH, 200 PIN , 9.2 MM HEIGHT, STANDARD B-TYPE (RoHS)
.XXX ±0.15		SEE NOTE	UNITS MM		
FINISH	SEE NOTE	SIZE	DRAWING NO	REV	A4 S102240-1 A3
		CAD SCALE	SHEET		
		1 : 1	2 OF 3		

www.admatec.com
admatec

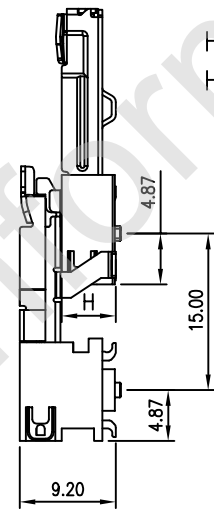
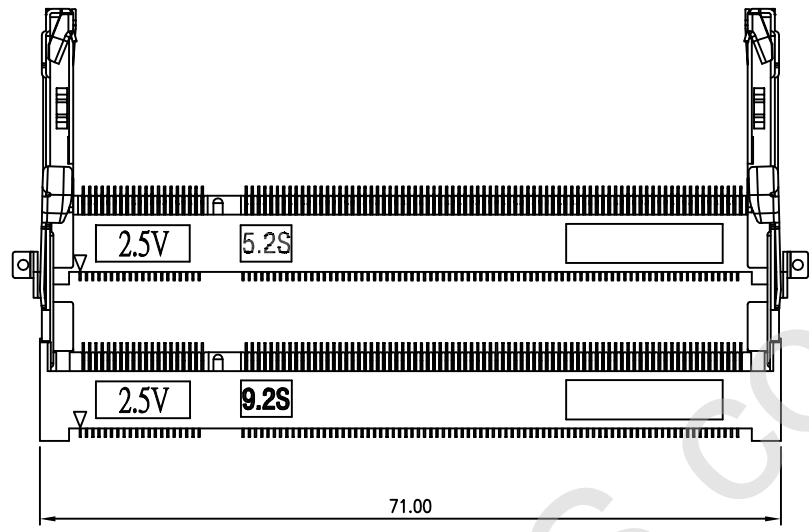
PRINT DIST
DW



METRIC

admatec www.admatec.com

PRINT DIST
DW



H=4.0MM (USING 4.0MM HEIGHT CONNECTOR)
H=5.2MM (USING 5.2MM HEIGHT CONNECTOR)

COMBINATION DIMENSION FOR 4.0H OR 5.2H CONNECTOR

8 | 7 | 6 | 5 | 4 | 3 | 2 | 1

TOLERANCES UNLESS OTHERWISE SPECIFIED		DWN	ashun	
.X ±0.38	X. ±2'		14-FEB-2006	
.XX ±0.25	.X ±1'	CHK		
.XXX ±0.15				
MATERIAL	SEE NOTE	APVD		
		UNITS	MM	
FINISH	SEE NOTE		SIZE	DRAWING NO
			A4	S102240-1
			CAD SCALE	REV
			1 : 1	A3
			SHEET	
			3 OF 3	

SODIMM200S92T

NAME
DDR S.O.DIMM SOCKET 0.6MM PITCH,
200 PIN , 9.2 MM HEIGHT,
STANDARD B-TYPE (RoHS)

D
C
B
A