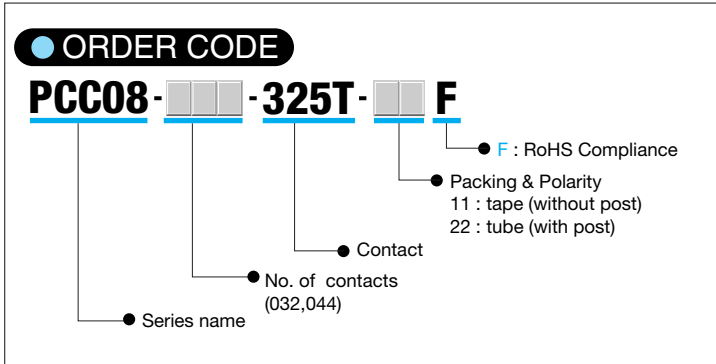


FEATURES

- Designed for standard JEDEC type "A"
- Tape or tube packaging
- Low profile, 5mm(0.197") in height
- Polarity post available upon request
- Easy to repair after reflow
- Easy to insert manually
- Easy to visually inspect after reflow
- RoHS compliance

SPECIFICATIONS

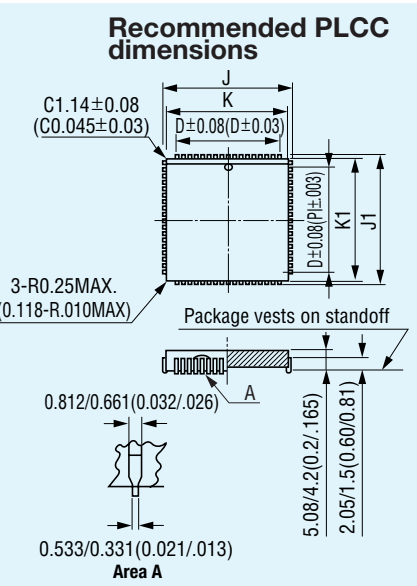
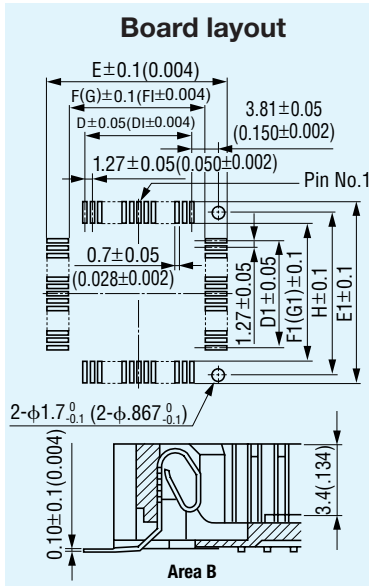
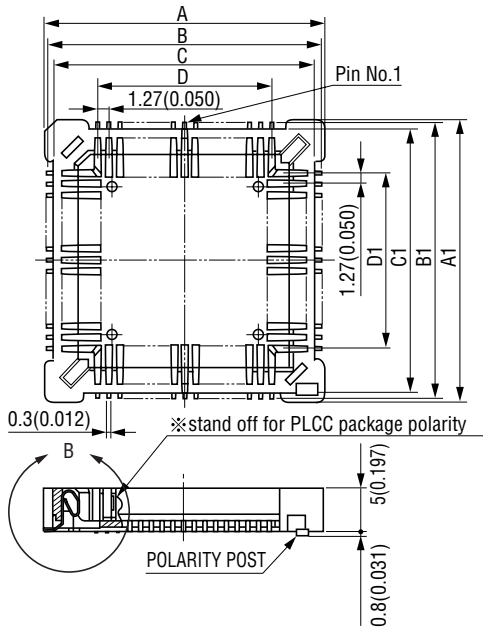
- Insulator : Glass-filled PPS (UL94V-0), brown
- Contact : Phosphor bronze
- Plating : Pure tin over copper
- Current rating : 1A per contact
- Contact resistance : 25mΩ max.
- Withstanding voltage : 650V AC for 1 minute
- Insulation resistance : 1,000mΩ min. at 500V DC
- Temperature : -55 to +105°C



Schareggstrasse 3, CH-5506 Mägenwil
Tel. +41 62 896 00 48, Fax. +41 62 896 25 80
info@admatec.ch, www.admatec.ch

Dimensions

Unit:mm(inch)



List of Dimensions (PCC 08)

No. of contacts	A	A1	B	B1	C	C1	D	D1	E	E1	F	F1	G	G1	H	J: max	J: min	J1: max	J1: min	K: max	K: min	K1: max	K1: min	
32	19.3 (0.760)	21.84 (0.860)	18.9 (0.744)	21.44 (0.844)	17.3 (0.681)	19.84 (0.781)	7.62 (0.300)	10.16 (0.400)	19.9 (0.783)	22.44 (0.883)	15.9 (0.626)	18.44 (0.726)	9.24 (0.364)	11.78 (0.464)	17.78 (0.700)	15.11 (0.595)	14.86 (0.585)	12.57 (0.495)	12.32 (0.485)	14.05 (0.553)	13.89 (0.547)	11.51 (0.453)	11.354 (0.447)	
44	24.38 (0.960)	23.98 (0.944)	22.38 (0.881)	12.70 (0.500)	24.98 (0.983)	20.98 (0.826)	14.32 (0.564)	20.32 (0.800)	17.65 (0.695)	17.40 (0.685)	16.66 (0.656)	16.51 (0.650)												