

FEATURES

- IDC for 1.27mm (50mil) flat cable (#28 AWG)
- Highly reliable straight beam contact design
- Low insertion and withdrawal force
- Easy to operate One-Touch locking ejector system
- Can be used with MIL-STD type IDC connectors (KEL 6100, 6200, 6200S, 6230 Series for example)
- 13 sizes, from 20 to 100 pins
- RoHS compliance

ORDER CODE

88 E - - - - F

- **F** : RoHS Compliance
- Plating of contact area
 - **Omit** : Au 0.05 μ m (Standard)
 - **D** : Au 0.25 μ m (Upon request)
- Contact tail style (Plug only)
 - **S** : Straight
 - **L** : Right angle
- Contact name
 - **170** : Plug
 - **171** : Receptacle
- Number of contacts

○ 020 : 20 pin	○ 026 : 26 pin
○ 030 : 30 pin	○ 032 : 32 pin
○ 034 : 34 pin	○ 036 : 36 pin
○ 040 : 40 pin	○ 050 : 50 pin
○ 052 : 52 pin	○ 060 : 60 pin
○ 068 : 68 pin	○ 080 : 80 pin
○ 100 : 100 pin	
- Series name
 - **8822E** : Receptacle
 - **8830E** : Plug, Without hooks
 - **8831E** : Plug, With hooks (Right angle only)

SPECIFICATIONS

- Insulator : Glass-filled 66 Nylon (UL 94V-0), Black
- Contact : Copper alloy
- Plating :
 - Contact area : Gold over Nickel
 - (1) Standard : 0.05 μ m min. Gold
 - (2) Upon request : 0.25 μ m min. Gold
 - IDC area : 0.05 μ m min. Gold over Nickel (8822E)
 - Tertminal area : 2 μ m min. Tin copper over Nickel (8830E/8831E)
- Current rating : 0.5A per contact
- Contact resistance : 30m Ω max.
- Dielectric withstanding voltage : 650V AC for 1 minute
- Insulation resistance : 1,000M Ω min. at 500V DC
- Operating temperature : -55°C to +85°C
- Recommended cable : #28 AWG (7/0.127), 1.27mm (50mil) pitch, Flat ribbon cable

8822E Series locking ejector system

The 8822E Series locking ejector system is a reversal of the MIL-STD design (KEL 6200 Series), the locking ejectors are integral to the cable connector. The ejectors are automatically locked by insertion in the Plug connector like the MIL-STD design.

The latches remain within the connector outline to reduce the requirements for board space, are unlocked by applying inward pressure and can be operated with only one hand unlike the older designs. This design offers advantages for uses in today's high density electronic equipment.

Way to insert

Open the ejectors of 8822E Series and insert into 8830E/8831E Series until the latches fully engage.

Way to withdrawal

Press on both sides of the 8822E Series ejectors to release the connector from the Plug connector.

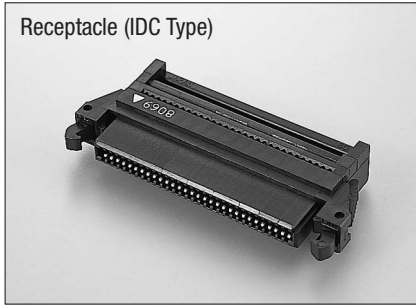
(Locked position)



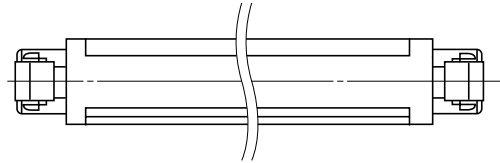
Schareggstrasse 3, CH-5506 Mägenwil
 Tel. +41 62 896 00 48, Fax. +41 62 896 25 80
 info@admatec.ch, www.admatec.ch

8822E-□□□-171□-F (Receptacle, With locking ejector)

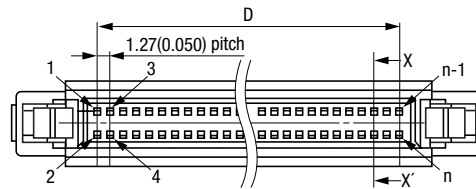
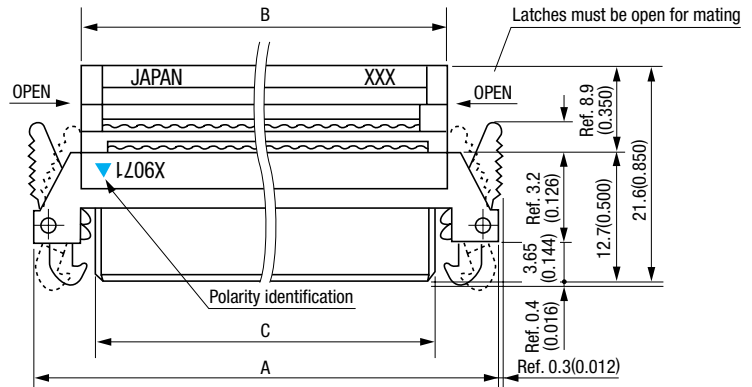
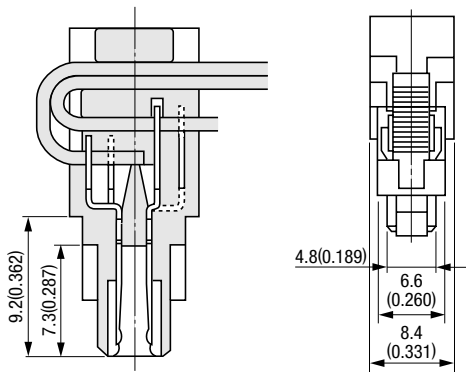
Receptacle (IDC Type)



Unit:mm(inch)



X-X' Cross Section



"n" is number of contacts

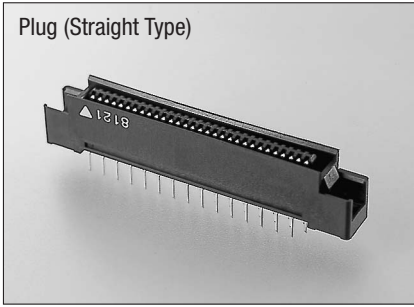
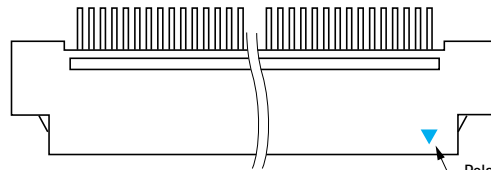
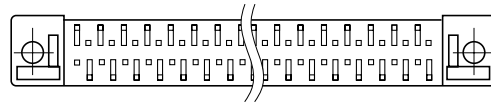
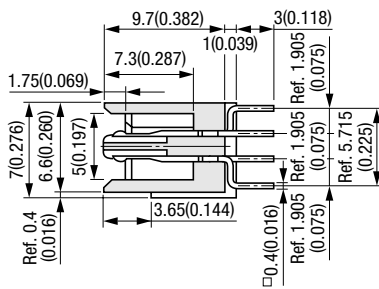
Product Table / Dimensions

No. of contacts	Part Number	A	B	C	D
20	8822E-020-171□-F	27.83 (1.096)	17.83 (0.702)	15.43 (0.607)	11.43 (0.450)
26	8822E-026-171□-F	31.64 (1.246)	21.64 (0.852)	19.24 (0.757)	15.24 (0.600)
30	8822E-030-171□-F	34.18 (1.346)	24.18 (0.952)	21.78 (0.857)	17.78 (0.700)
32	8822E-032-171□-F	35.45 (1.396)	25.45 (1.002)	23.05 (0.907)	19.05 (0.750)
34	8822E-034-171□-F	36.72 (1.446)	26.72 (1.052)	24.32 (0.957)	20.32 (0.800)
36	8822E-036-171□-F	37.99 (1.496)	27.99 (1.102)	25.59 (1.007)	21.59 (0.850)
40	8822E-040-171□-F	40.53 (1.596)	30.53 (1.202)	28.13 (1.107)	24.13 (0.950)
50	8822E-050-171□-F	46.88 (1.846)	36.88 (1.452)	34.48 (1.357)	30.48 (1.200)
52	8822E-052-171□-F	48.15 (1.896)	38.15 (1.502)	35.75 (1.407)	31.75 (1.250)
60	8822E-060-171□-F	53.23 (2.096)	43.23 (1.702)	40.83 (1.607)	36.83 (1.450)
68	8822E-068-171□-F	58.31 (2.296)	48.31 (1.902)	45.91 (1.807)	41.91 (1.650)
80	8822E-080-171□-F	65.93 (2.596)	55.93 (2.202)	53.53 (2.107)	49.53 (1.950)
100	8822E-100-171□-F	78.63 (3.096)	68.63 (2.702)	66.23 (2.607)	62.23 (2.450)

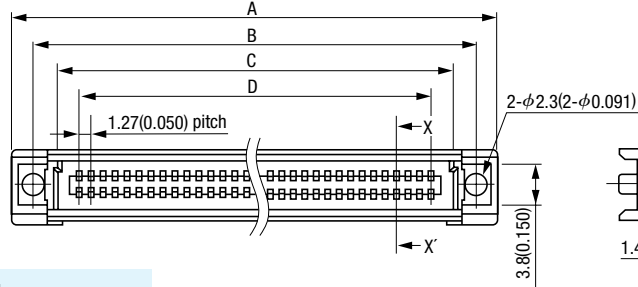
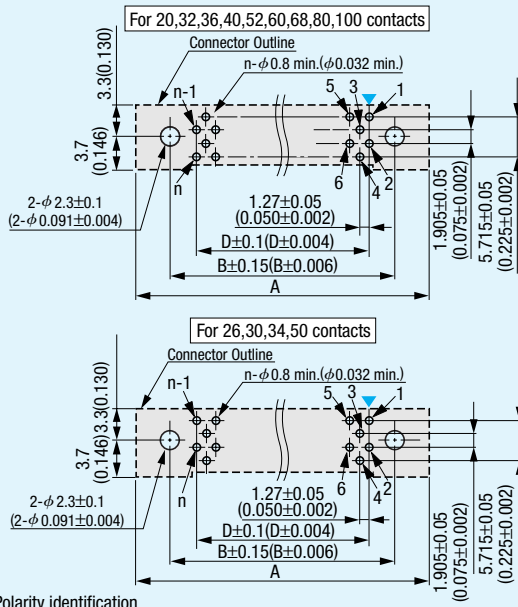
8830E-□□□-170S□-F (Plug, With locking ejector)

Unit:mm(inch)

Plug (Straight Type)


X-X' Cross Section


Polarity identification


Printed Circuit Board Layout (Component Side View)


▼=Polarity identification

Recommended PCB Thickness t=1.6±0.19(0.063±0.007)

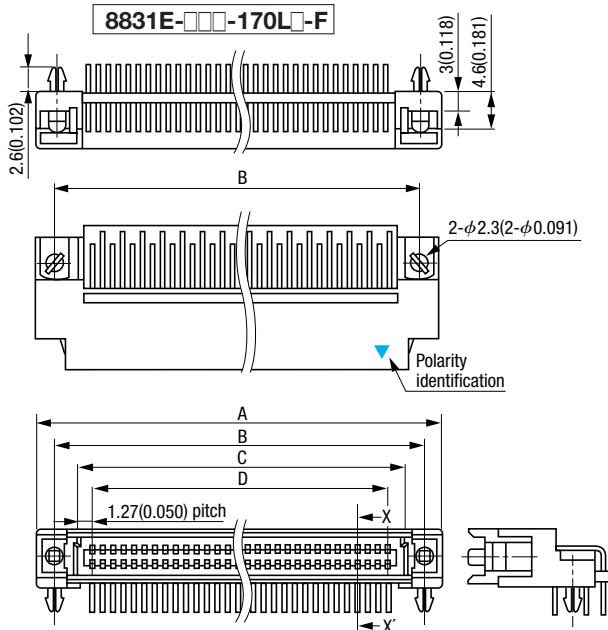
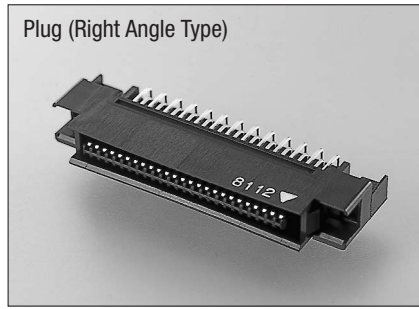
"n" is number of contacts.

Product Table / Dimensions

No. of contacts	Part Number	A	B	C	D
20	8830E-020-170S□-F	27.83 (1.096)	22.86 (0.900)	15.83 (0.623)	11.43 (0.450)
26	8830E-026-170S□-F	31.64 (1.246)	26.67 (1.050)	19.64 (0.773)	15.24 (0.600)
30	8830E-030-170S□-F	34.18 (1.346)	29.21 (1.150)	22.18 (0.873)	17.78 (0.700)
32	8830E-032-170S□-F	35.45 (1.396)	30.48 (1.200)	23.45 (0.923)	19.05 (0.750)
34	8830E-034-170S□-F	36.72 (1.446)	31.75 (1.250)	24.72 (0.973)	20.32 (0.800)
36	8830E-036-170S□-F	37.99 (1.496)	33.02 (1.300)	25.99 (1.023)	21.59 (0.850)
40	8830E-040-170S□-F	40.53 (1.596)	35.56 (1.400)	28.53 (1.123)	24.13 (0.950)
50	8830E-050-170S□-F	46.88 (1.846)	41.91 (1.650)	34.88 (1.373)	30.48 (1.200)
52	8830E-052-170S□-F	48.15 (1.896)	43.18 (1.700)	36.15 (1.423)	31.75 (1.250)
60	8830E-060-170S□-F	53.23 (2.096)	48.26 (1.900)	41.23 (1.623)	36.83 (1.450)
68	8830E-068-170S□-F	58.31 (2.296)	53.34 (2.100)	46.31 (1.823)	41.91 (1.650)
80	8830E-080-170S□-F	65.93 (2.596)	60.96 (2.400)	53.93 (2.123)	49.53 (1.950)
100	8830E-100-170S□-F	78.63 (3.096)	73.66 (2.900)	66.63 (2.623)	62.23 (2.450)

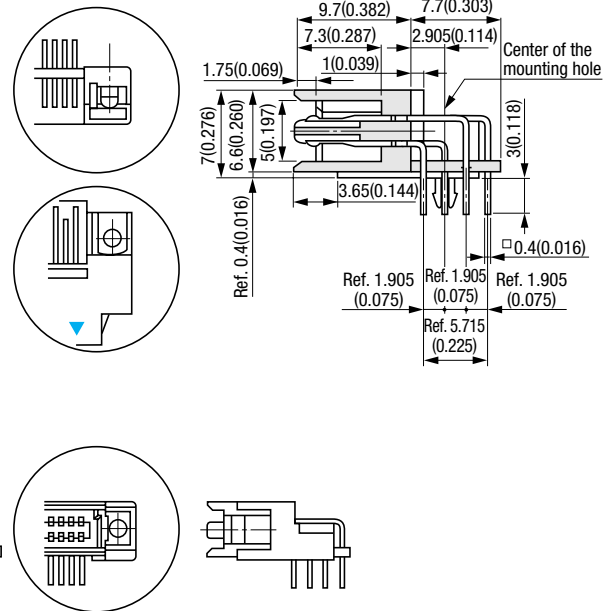
8830E/8831E-□□□□-170L□-F (Plug, With locking system)

Unit:mm(inch)

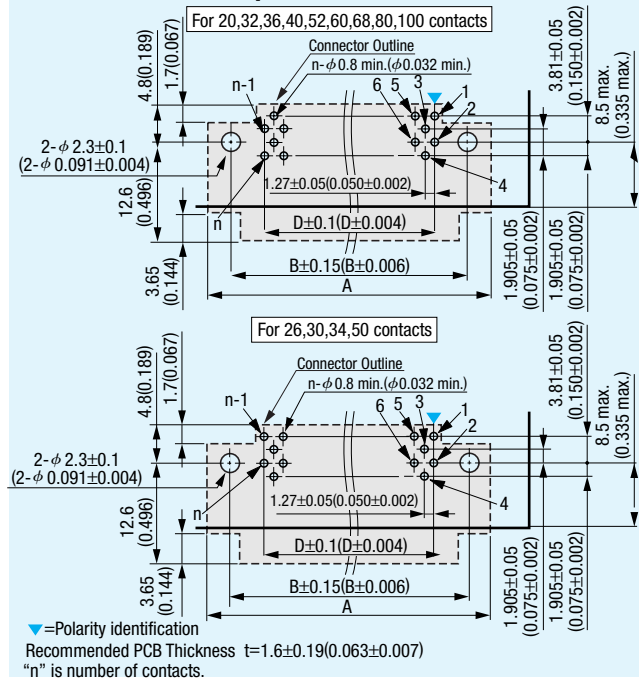


8830E-□□□□-170L□-F

X-X' Cross Section



Printed Circuit Board Layout (Component Side View)



Product Table / Dimensions

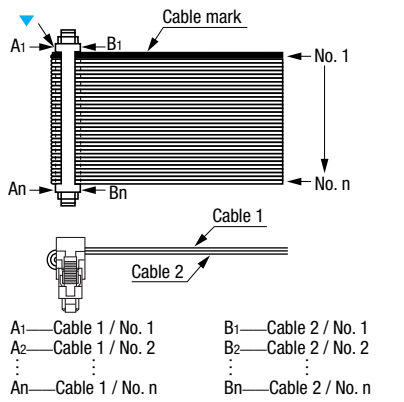
No. of contacts	Part Number	A	B	C	D
20	8830E-020-170L□-F	27.83	22.86	15.83	11.43
	8831E-020-170L□-F	(1.096)	(0.900)	(0.623)	(0.450)
26	8830E-026-170L□-F	31.64	26.67	19.64	15.24
	8831E-026-170L□-F	(1.246)	(1.050)	(0.773)	(0.600)
30	8830E-030-170L□-F	34.18	29.21	22.18	17.78
	8831E-030-170L□-F	(1.346)	(1.150)	(0.873)	(0.700)
32	8830E-032-170L□-F	35.45	30.48	23.45	19.05
	8831E-032-170L□-F	(1.396)	(1.200)	(0.923)	(0.750)
34	8830E-034-170L□-F	36.72	31.75	24.72	20.32
	8831E-034-170L□-F	(1.446)	(1.250)	(0.973)	(0.800)
36	8830E-036-170L□-F	37.99	33.02	25.99	21.59
	8831E-036-170L□-F	(1.496)	(1.300)	(1.023)	(0.850)
40	8830E-040-170L□-F	40.53	35.56	28.53	24.13
	8831E-040-170L□-F	(1.596)	(1.400)	(1.123)	(0.950)
50	8830E-050-170L□-F	46.88	41.91	34.88	30.48
	8831E-050-170L□-F	(1.846)	(1.650)	(1.373)	(1.200)
52	8830E-052-170L□-F	48.15	43.18	36.15	31.75
	8831E-052-170L□-F	(1.896)	(1.700)	(1.423)	(1.250)
60	8830E-060-170L□-F	53.23	48.26	41.23	36.83
	8831E-060-170L□-F	(2.096)	(1.900)	(1.623)	(1.450)
68	8830E-068-170L□-F	58.31	53.34	46.31	41.91
	8831E-068-170L□-F	(2.296)	(2.100)	(1.823)	(1.650)
80	8830E-080-170L□-F	65.93	60.96	53.93	49.53
	8831E-080-170L□-F	(2.596)	(2.400)	(2.123)	(1.950)
100	8830E-100-170L□-F	78.63	73.66	66.63	62.23
	8831E-100-170L□-F	(3.096)	(2.900)	(2.623)	(2.450)

ORDER CODE

8822E- -171 F- - (C)

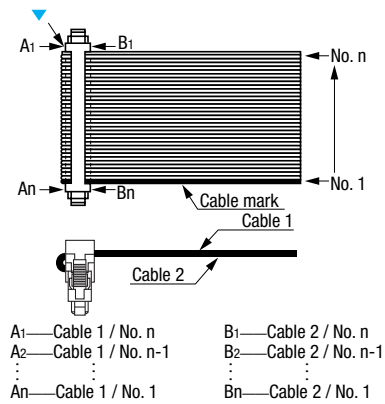
- No. of contacts
 - 020 : 20 pin
 - 026 : 26 pin
 - 030 : 30 pin
 - 032 : 32 pin
 - 034 : 34 pin
 - 036 : 36 pin
 - 040 : 40 pin
 - 050 : 50 pin
 - 052 : 52 pin
 - 060 : 60 pin
 - 068 : 68 pin
 - 080 : 80 pin
 - 100 : 100 pin
- Contact name
 - 171
- Plating of contact area
 - Om1 : Au 0.05 μ m (Standard)
 - D : Au 0.25 μ m (Upon request)
- Series name
 - 8822E : One-touch locking ejector system
- Wiring code (AA, AC, BB, BD, AO, CO)
 - Cable type
 - Om1 : Flat cable
 - * S : Intermittent bonded cable
 - * T : Twist&Flat cable
 - Cable length (cm)
 - L dimension (3cm min.)
 - (Example: 008=8cm)
 - F : RoHS Compliance
- BB-wired products
 - Om1 : Twist type
 - C : Through type

8822E- -171 F- -A0



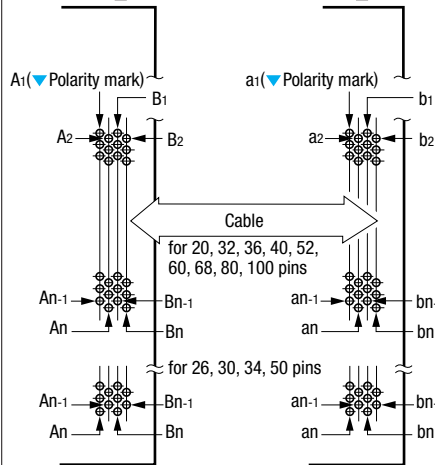
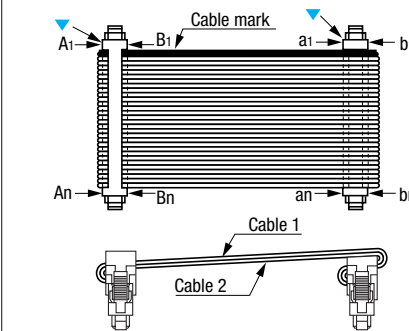
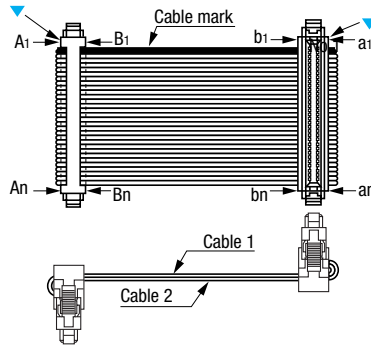
▼=Polarity identification

8822E- -171 F- -C0



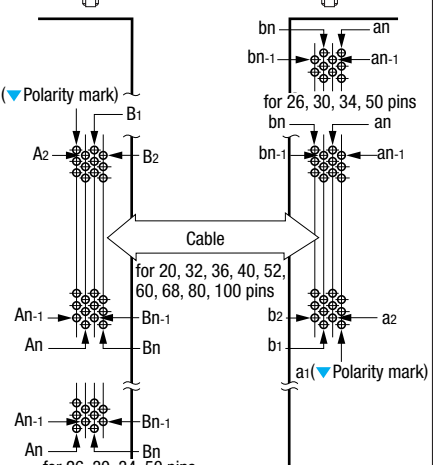
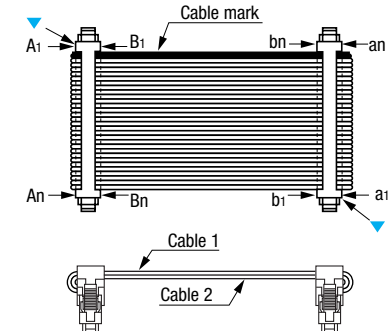
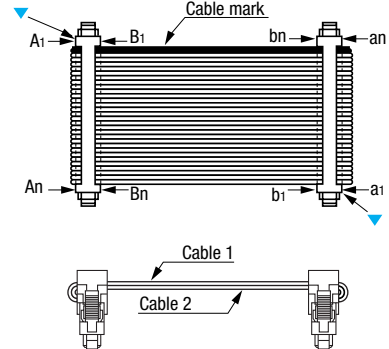
▼=Polarity identification

8822E- -171 F- -AA



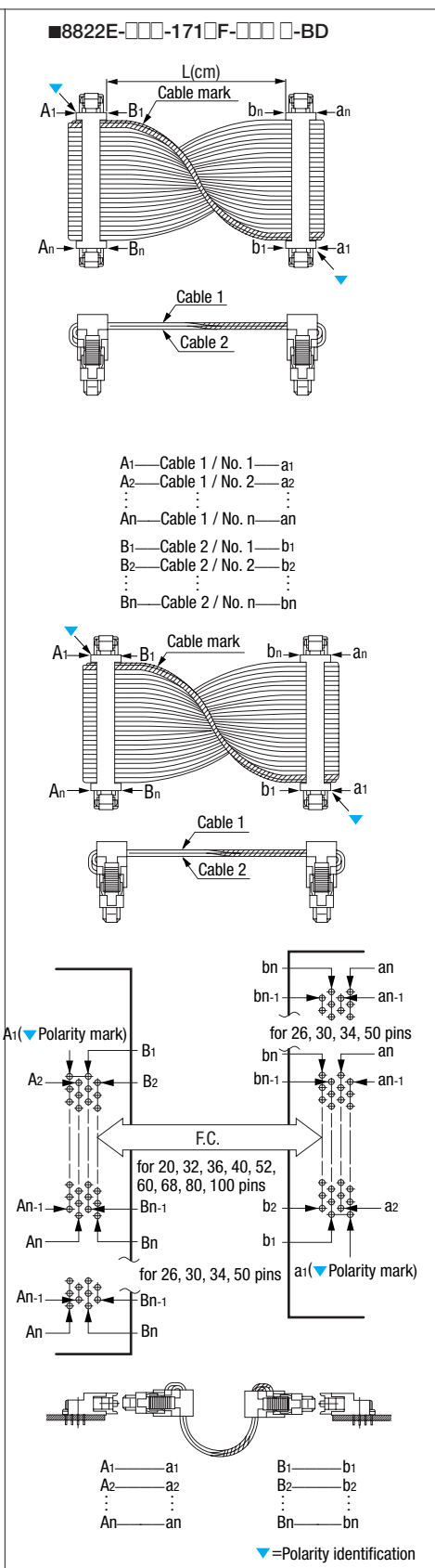
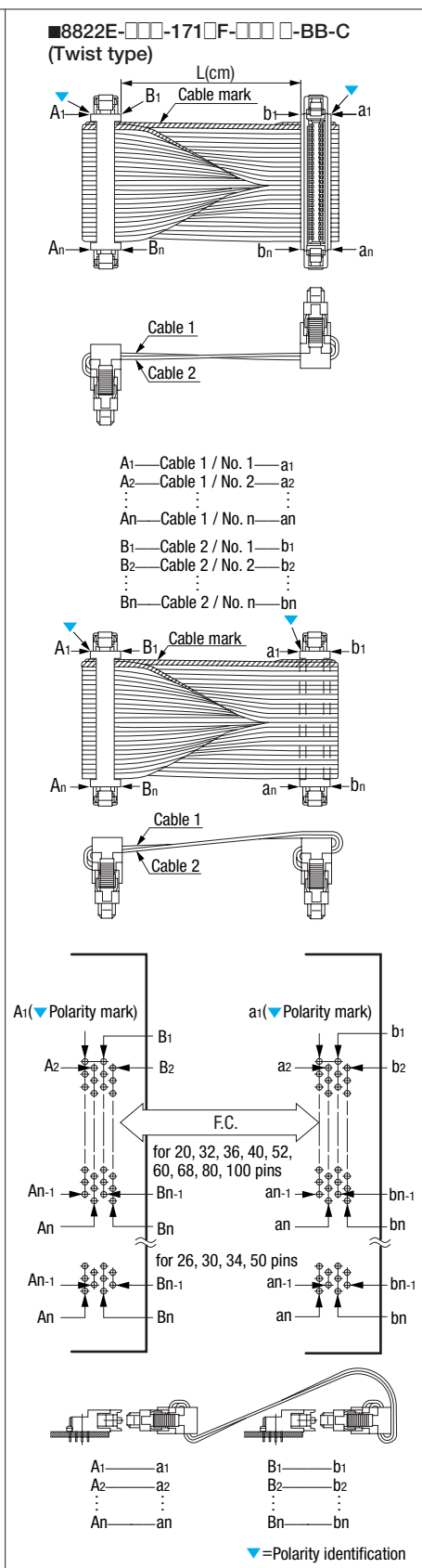
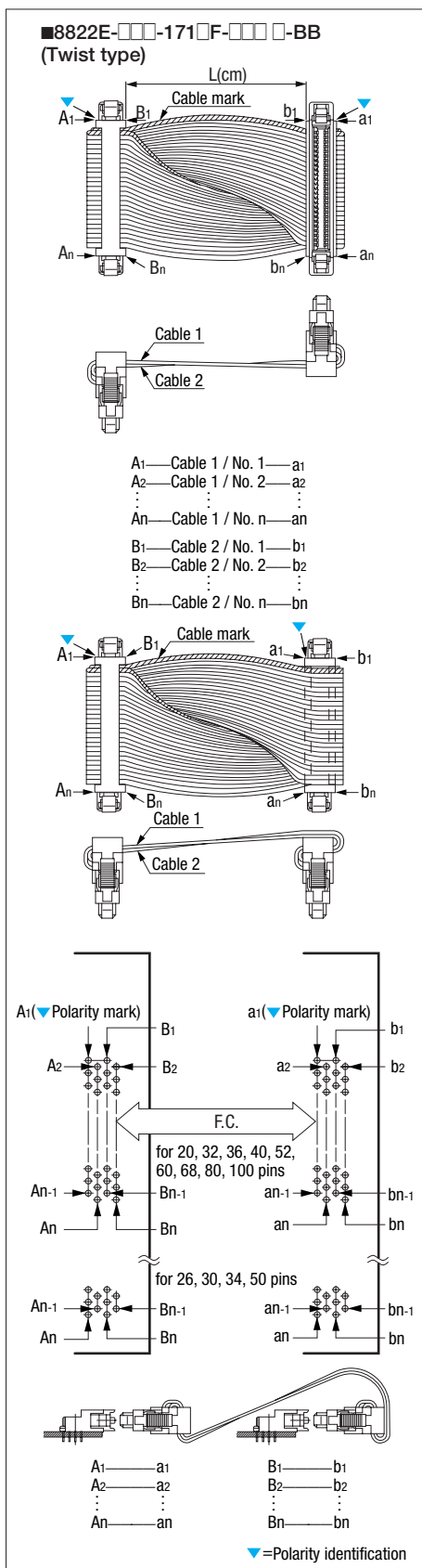
▼=Polarity identification

8822E- -171 F- -AC



▼=Polarity identification

- * Intermittent bonder and Twist&Flat cable have a restriction on cable length (L dimension) because they are terminated at the fused part.
- * For AO and CO codes, orders are accepted in even quantities.
- * Harness end has an extra cable of approximate 1mm beyond the connector edge.

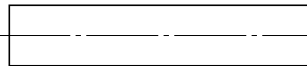


- * Intermittent bonder and Twist&Flat cable have a restriction on cable length (L dimension) because they are terminated at the fused part.
- * For AO and CO codes, orders are accepted in even quantities.
- * Harness end has an extra cable of approximate 1mm beyond the connector edge.

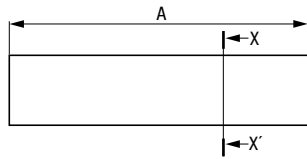
8800 Series Dust Cover

Unit:mm(inch)

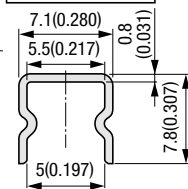
8800-□□□DSC-R1 (For Receptacle)



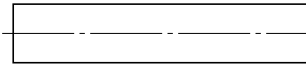
Material : PVC
 Color : Semi-transparent



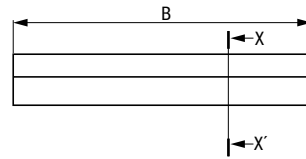
X-X' Cross Section



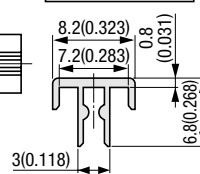
8810-□□□DSC-H1 (For Plug)



Material : PVC
 Color : Semi-transparent



X-X' Cross Section



Dimensions

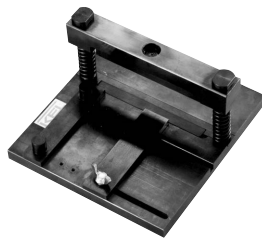
No. of contacts	A	B
20	17.4(0.685)	14.03(0.552)
26	21.2(0.835)	17.84(0.702)
30	23.8(0.937)	20.38(0.802)
32	25.0(0.984)	21.65(0.852)
34	26.3(1.035)	22.92(0.902)
40	30.1(1.185)	26.73(1.052)
50	36.5(1.437)	33.08(1.302)
52	37.7(1.484)	34.35(1.352)
60	42.8(1.685)	39.43(1.552)
68	47.9(1.886)	44.51(1.752)
80	55.5(2.185)	52.13(2.052)
100	68.2(2.685)	64.83(2.552)

Termination Equipment

■ **Hand Press(HP-12)**



■ **Cable Trimmer(CT-15)**



■ **Locating Fixture(LF-21)**



■ **Seating Platen**



*LF-21 accessory

Specifications and dimensions are subject to change without notice.



Schareggstrasse 3, CH-5506 Mägenwil
 Tel. +41 62 896 00 48, Fax. +41 62 896 25 80
 info@admatec.ch, www.admatec.ch