

## FEATURES

- High density 1.27mm pitch connector
- Highly reliable straight beam contact design
- Low insertion and withdrawal force
- IDC for 1.27mm (50mil) flat ribbon cable (#28 AWG)
- Can be used with MIL-STD type IDC connectors (KEL 6100, 6200, 6200S, 6230 Series for example)
- Easy one-hand locking
- 10 sizes from 20 to 68 pins
- RoHS compliance

### ● ORDER CODE

**88** - - - - - **F**

- **F** : RoHS Compliance
- Plating of contact area  
Omit : Au 0.05 $\mu$ m (Standard)  
D : Au 0.25 $\mu$ m (Upon request)
- Contact tail style (Plug only)  
S : Straight  
L : Right angle
- Contact name  
170 : Plug  
171 : Receptacle
- Number of contacts  
020 : 20 pin    026 : 26 pin  
030 : 30 pin    032 : 32 pin  
034 : 34 pin    040 : 40 pin  
050 : 50 pin    052 : 52 pin  
060 : 60 pin    068 : 68 pin
- Series name  
8822 : Receptacle  
8830 : Plug, Without hooks  
8831 : Plug, With hooks (Right angle only)

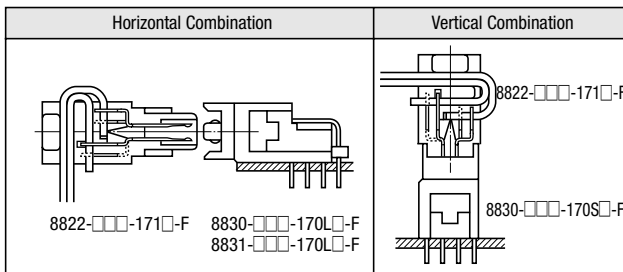
## SPECIFICATIONS

- Insulator : Glass-filled 66 Nylon (UL 94V-0), Black
- Contact : Copper alloy
- Plating :  
 Contact area ; Gold over Nickel  
 (1) Standard : 0.05 $\mu$ m min. Gold  
 (2) Upon request : 0.25 $\mu$ m min. Gold
- IDC area ; 0.05 $\mu$ m min. Gold over Nickel (8822)  
 Tertminal area ; 2 $\mu$ m min. Tin copper over Nickel (8830/8831)
- Current rating : 0.5A per contact
- Contact resistance : 30m $\Omega$  max.
- Dielectric withstanding voltage : 650V AC for 1 minute
- Insulation resistance : 1,000M $\Omega$  min. at 500V DC
- Operating temperature : -55 $^{\circ}$ C to +85 $^{\circ}$ C
- Recommended cable : #28 AWG (7/0.127), 1.27mm (50mil) pitch, Flat ribbon cable

## PRODUCT OUTLINES

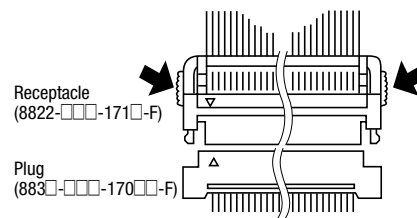
### ■ Cable Assembly

The 8822 Series terminates to 2 separate 1.27mm (50mil) pitch, flat ribbon cables. This allows for cable assemblies that include both 1.27mm (50mil) pitch and MIL-STD connectors (KEL 6100, 6200, 6200S, 6230 Series) on same assembly.



### ■ Snap-in Latching Mechanism

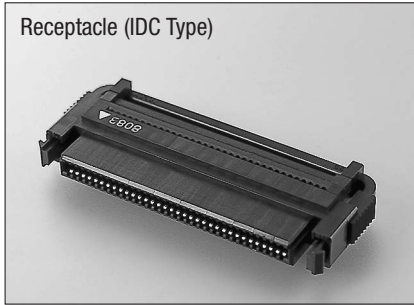
The 8822 Series has an original snap-in latch design that offers easy latching and ejecting with the 8830/8831 Series.



Apply pressure on both of the 8820 Series latches to release the Receptacle from the Plug.

8822-□□□-171□-F (Receptacle, With snap-in latches)

Receptacle (IDC Type)

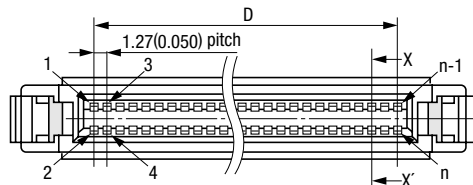
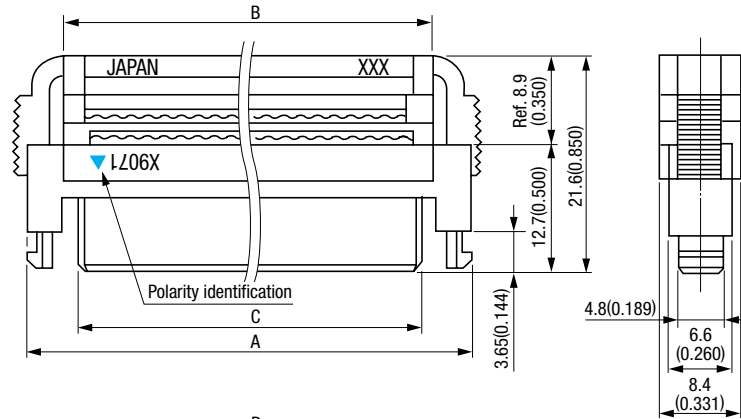
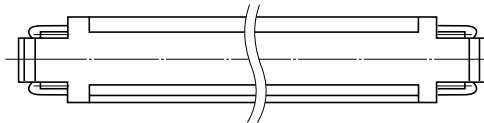
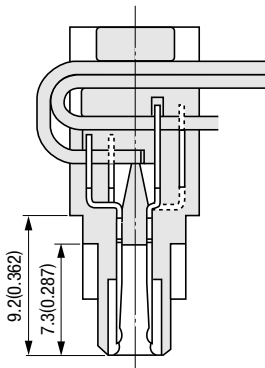


Unit:mm(inch)



Schareggstrasse 3, CH-5506 Mägenwil  
Tel. +41 62 896 00 48, Fax. +41 62 896 25 80  
info@admatec.ch, www.admatec.ch

X-X' Cross Section



"n" is number of contacts

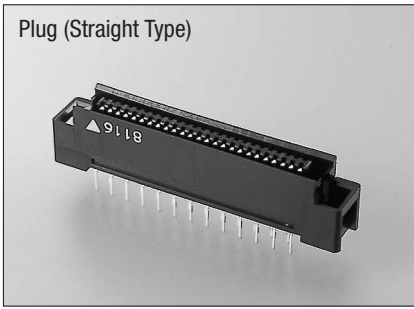
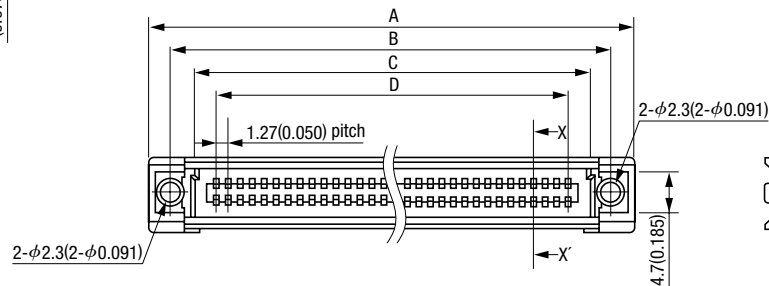
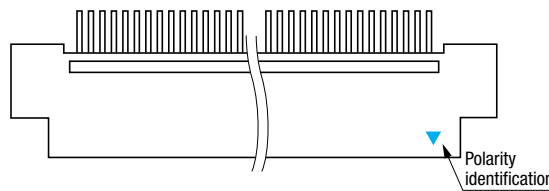
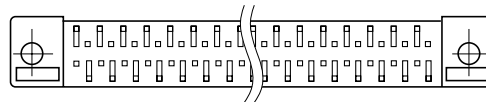
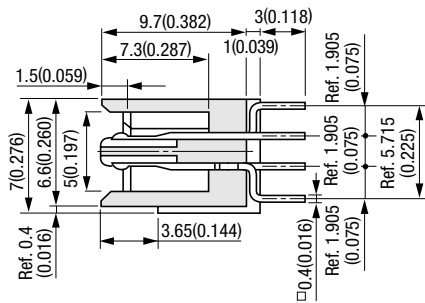
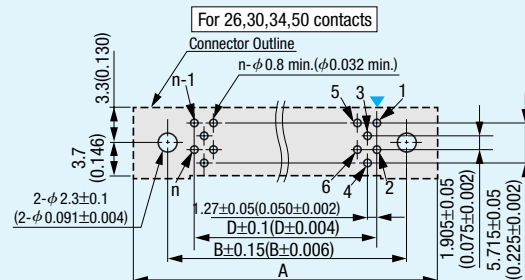
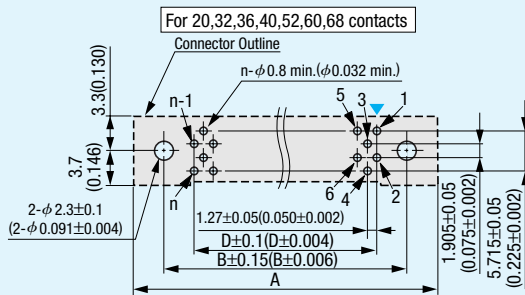
Product Table / Dimensions

No. of contacts	Part Number	A	B	C	D
20	8822-020-171□-F	25.43 (1.001)	17.83 (0.702)	15.43 (0.607)	11.43 (0.450)
26	8822-026-171□-F	29.24 (1.151)	21.64 (0.852)	19.24 (0.757)	15.24 (0.600)
30	8822-030-171□-F	31.78 (1.251)	24.18 (0.952)	21.78 (0.857)	17.78 (0.700)
32	8822-032-171□-F	33.05 (1.301)	25.45 (1.002)	23.05 (0.907)	19.05 (0.750)
34	8822-034-171□-F	34.32 (1.351)	26.72 (1.052)	24.32 (0.957)	20.32 (0.800)
40	8822-040-171□-F	38.13 (1.501)	30.53 (1.202)	28.13 (1.107)	24.13 (0.950)
50	8822-050-171□-F	44.48 (1.751)	36.88 (1.452)	34.48 (1.357)	30.48 (1.200)
52	8822-052-171□-F	45.75 (1.801)	38.15 (1.502)	35.75 (1.407)	31.75 (1.250)
60	8822-060-171□-F	50.83 (2.001)	43.23 (1.702)	40.83 (1.607)	36.83 (1.450)
68	8822-068-171□-F	55.91 (2.201)	48.31 (1.902)	45.91 (1.807)	41.91 (1.650)

**8830-□□□-170S□-F (Plug, With locking system)**

Unit:mm(inch)

Plug (Straight Type)


**X-X' Cross Section**

**Printed Circuit Board Layout (Component Side View)**


▼=Polarity identification  
 Recommended PCB Thickness t=1.6±0.19(0.063±0.007)  
 "n" is number of contacts.

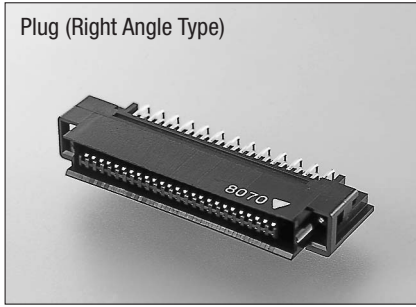
**Product Table / Dimensions**

No. of contacts	Part Number	A	B	C	D
20	8830-020-170S□-F	25.43 (1.001)	20.32 (0.800)	15.83 (0.623)	11.43 (0.450)
26	8830-026-170S□-F	29.24 (1.151)	24.13 (0.950)	19.64 (0.773)	15.24 (0.600)
30	8830-030-170S□-F	31.78 (1.251)	26.67 (1.050)	22.18 (0.873)	17.78 (0.700)
32	8830-032-170S□-F	33.05 (1.301)	27.94 (1.100)	23.45 (0.923)	19.05 (0.750)
34	8830-034-170S□-F	34.32 (1.351)	29.21 (1.150)	24.72 (0.973)	20.32 (0.800)
40	8830-040-170S□-F	38.13 (1.501)	33.02 (1.300)	28.53 (1.123)	24.13 (0.950)
50	8830-050-170S□-F	44.48 (1.751)	39.37 (1.550)	34.88 (1.373)	30.48 (1.200)
52	8830-052-170S□-F	45.75 (1.801)	40.64 (1.600)	36.15 (1.423)	31.75 (1.250)
60	8830-060-170S□-F	50.83 (2.001)	45.72 (1.800)	41.23 (1.623)	36.83 (1.450)
68	8830-068-170S□-F	55.91 (2.201)	50.80 (2.000)	46.31 (1.823)	41.91 (1.650)

8830/8831-□□□-170L□-F (Plug, With locking system)

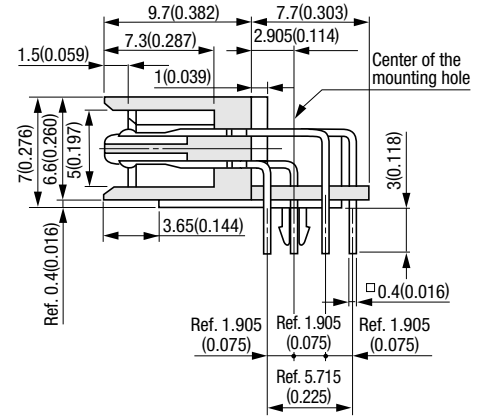
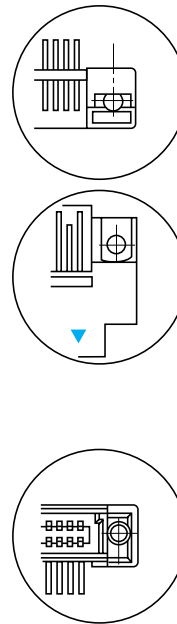
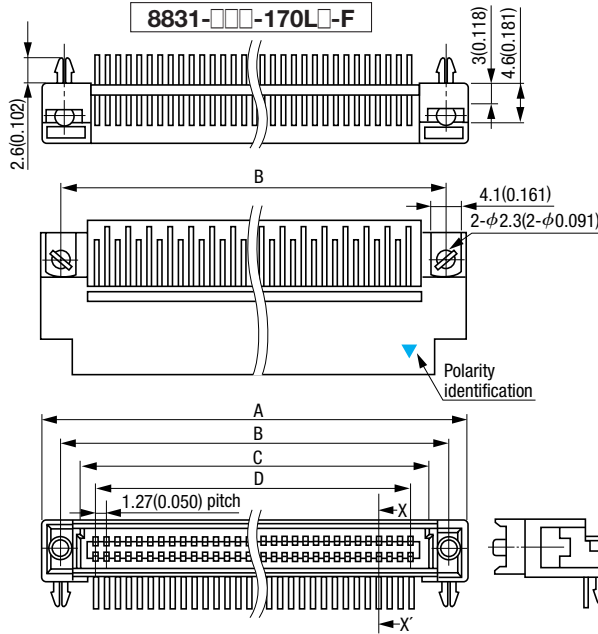
Unit:mm(inch)

Plug (Right Angle Type)

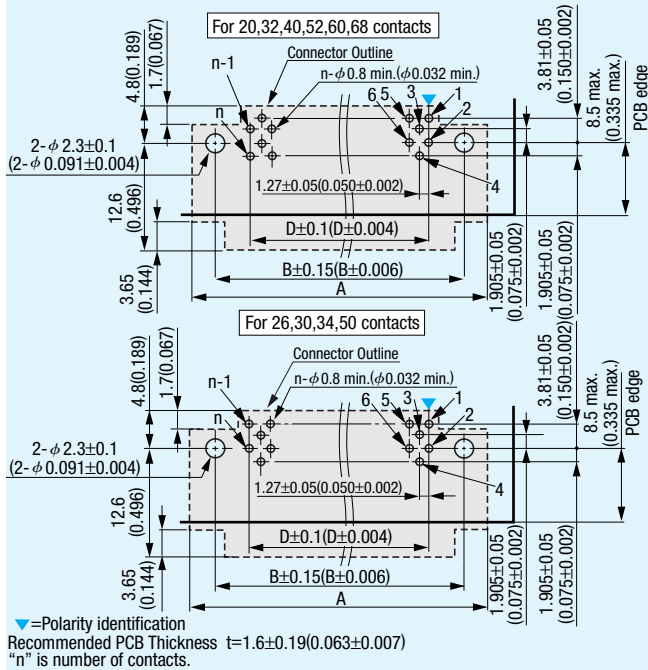


8830-□□□-170L□-F

X-X' Cross Section



Printed Circuit Board Layout (Component Side View)



Product Table / Dimensions

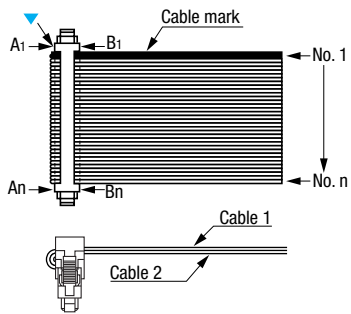
No. of contacts	Part Number	A	B	C	D
20	8830-020-170L□-F	25.43	20.32	15.83	11.43
	8831-020-170L□-F	(1.001)	(0.800)	(0.623)	(0.450)
26	8830-026-170L□-F	29.24	24.13	19.64	15.24
	8831-026-170L□-F	(1.151)	(0.950)	(0.773)	(0.600)
30	8830-030-170L□-F	31.78	26.67	22.18	17.78
	8831-030-170L□-F	(1.251)	(1.050)	(0.873)	(0.700)
32	8830-032-170L□-F	33.05	27.94	23.45	19.05
	8831-032-170L□-F	(1.301)	(1.100)	(0.923)	(0.750)
34	8830-034-170L□-F	34.32	29.21	24.72	20.32
	8831-034-170L□-F	(1.351)	(1.150)	(0.973)	(0.800)
40	8830-040-170L□-F	38.13	33.02	28.53	24.13
	8831-040-170L□-F	(1.501)	(1.300)	(1.123)	(0.950)
50	8830-050-170L□-F	44.48	39.37	34.88	30.48
	8831-050-170L□-F	(1.751)	(1.550)	(1.373)	(1.200)
52	8830-052-170L□-F	45.75	40.64	36.15	31.75
	8831-052-170L□-F	(1.801)	(1.600)	(1.423)	(1.250)
60	8830-060-170L□-F	50.83	45.72	41.23	36.83
	8831-060-170L□-F	(2.001)	(1.800)	(1.623)	(1.450)
68	8830-068-170L□-F	55.91	50.80	46.31	41.91
	8831-068-170L□-F	(2.201)	(2.000)	(1.823)	(1.650)

### ORDER CODE

**8822-□□□-171□F-□□□□(C)**

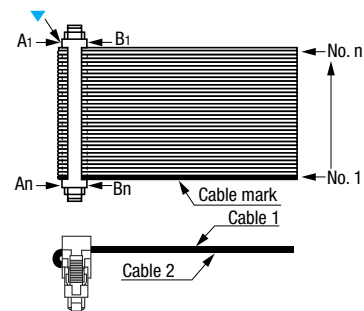
- No. of contacts
  - 020 : 20 pin
  - 026 : 26 pin
  - 030 : 30 pin
  - 032 : 32 pin
  - 034 : 34 pin
  - 040 : 40 pin
  - 050 : 50 pin
  - 052 : 52 pin
  - 060 : 60 pin
  - 068 : 68 pin
- Contact name
  - 171
- Plating of contact area
  - Omit : Au 0.05μm (Standard)
  - D : Au 0.25μm (Upon request)
- Series name
  - 8822 : Snap-in latching system
- Wiring code (AA, AC, BB, BO, AO, CO)
- Cable type
  - Omit : Flat cable
  - \* S : Intermittent bonded cable
  - \* T : Twist&Flat cable
- Cable length (cm)
  - L dimension (3cm min.)
  - (Example: 008=8cm)
- F : RoHS Compliance
- BB-wired products
  - Omit : Twist type
  - C : Through type

### 8822-□□□-171□F-□□□□-AO



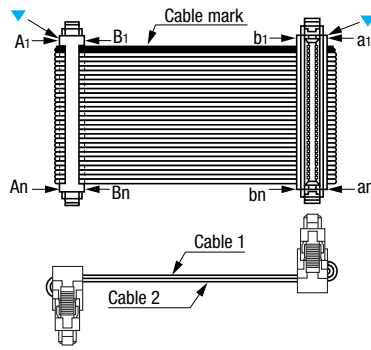
- A1—Cable 1 / No. 1
  - A2—Cable 1 / No. 2
  - ...
  - An—Cable 1 / No. n
  - B1—Cable 2 / No. 1
  - B2—Cable 2 / No. 2
  - ...
  - Bn—Cable 2 / No. n
- ▼=Polarity identification

### 8822-□□□-171□F-□□□□-CO

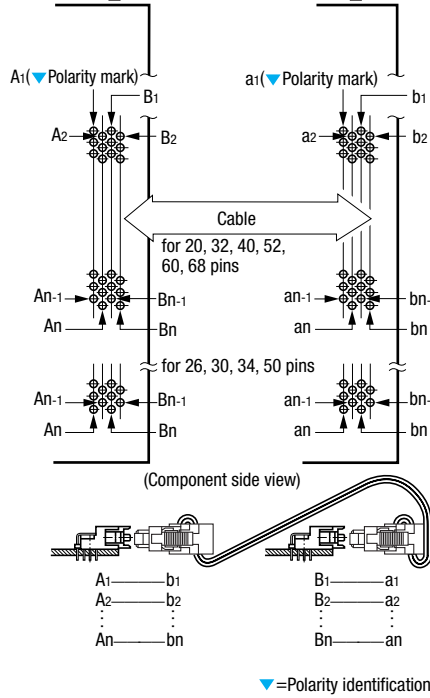
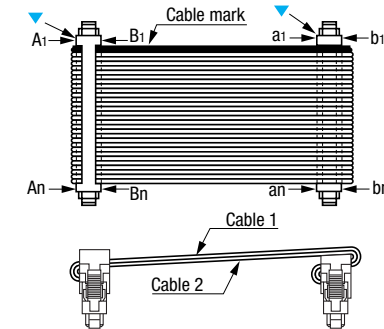


- A1—Cable 1 / No. n
  - A2—Cable 1 / No. n-1
  - ...
  - An—Cable 1 / No. 1
  - B1—Cable 2 / No. n
  - B2—Cable 2 / No. n-1
  - ...
  - Bn—Cable 2 / No. 1
- ▼=Polarity identification

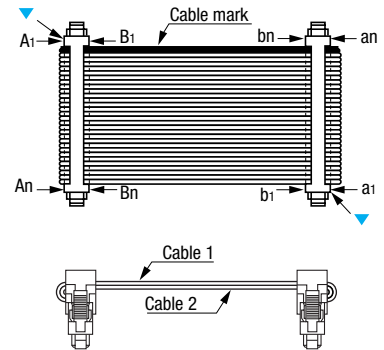
### 8822-□□□-171□F-□□□□-AA



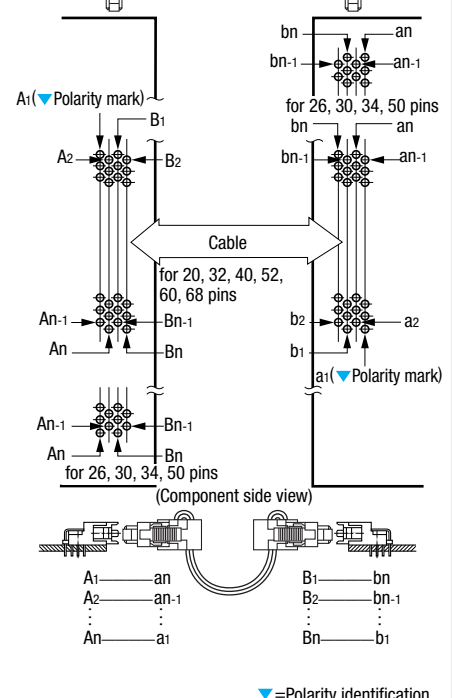
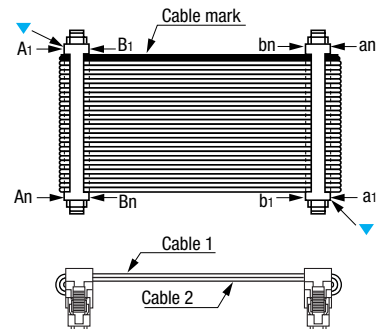
- A1—Cable 1 / No. 1—b1
- A2—Cable 1 / No. 2—b2
- ...
- An—Cable 1 / No. n—bn
- B1—Cable 2 / No. 1—a1
- B2—Cable 2 / No. 2—a2
- ...
- Bn—Cable 2 / No. n—an



### 8822-□□□-171□F-□□□□-AC



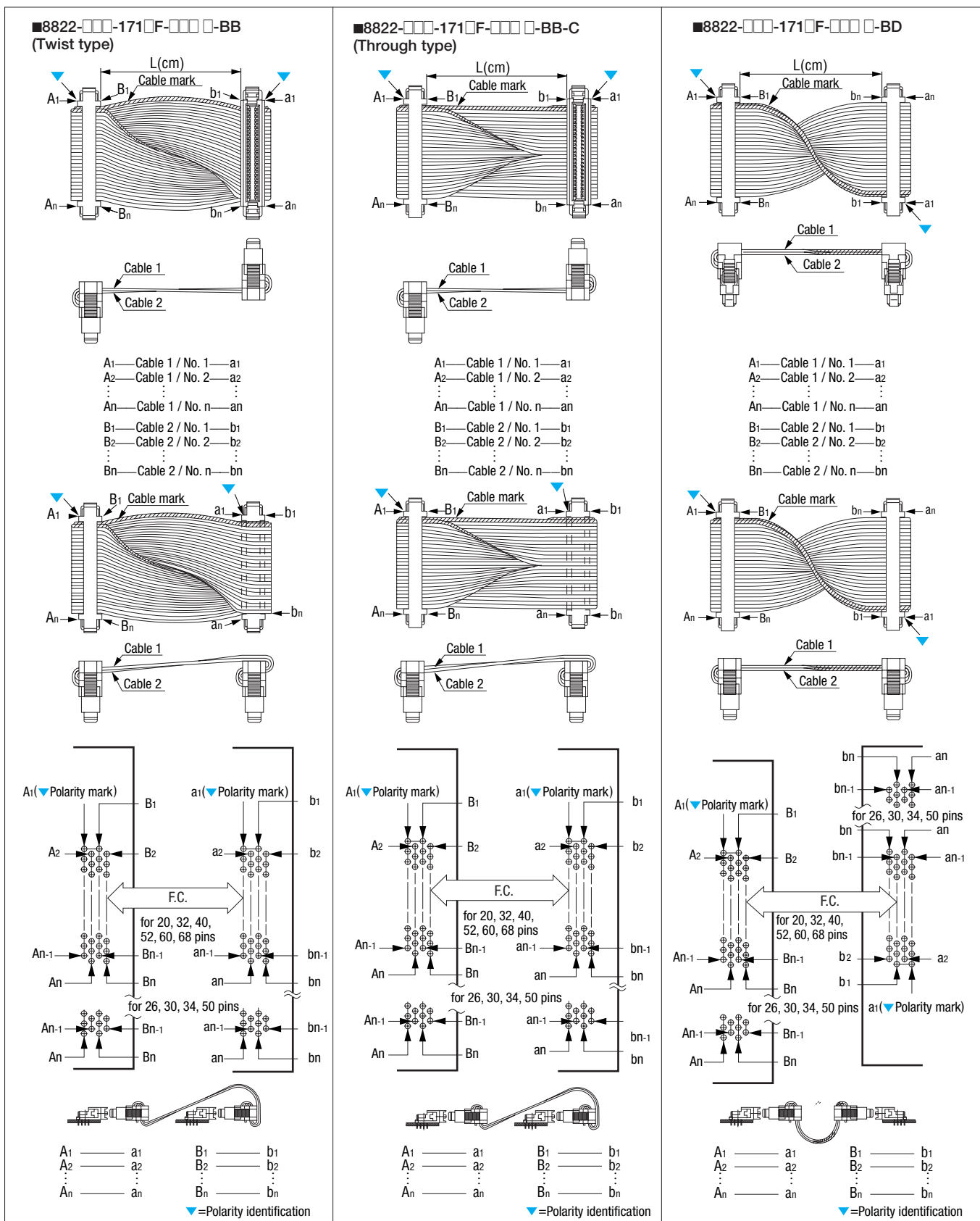
- A1—Cable 1 / No. 1—an
- A2—Cable 1 / No. 2—an-1
- ...
- An—Cable 1 / No. n—a1
- B1—Cable 2 / No. 1—bn
- B2—Cable 2 / No. 2—bn-1
- ...
- Bn—Cable 2 / No. n—b1



- \* Intermittent bonder and Twist&Flat cable have a restriction on cable length (L dimension) because they are terminated at the fused part.
- \* For AO and CO codes, orders are accepted in even quantities.
- \* Harness end has an extra cable of approximate 1mm beyond the connector edge.



• For pressure-welding tools used for flat-cable connectors, see C-68.



- \* Intermittent bonder and Twist&Flat cable have a restriction on cable length (L dimension) because they are terminated at the fused part.
- \* For AO and CO codes, orders are accepted in even quantities.
- \* Harness end has an extra cable of approximate 1mm beyond the connector edge.



• For pressure-welding tools used for flat-cable connectors, see C-68.