



FEATURES

- Highly reliable 2 point connection
- Insulator designed to insure smooth mating
- Design prevents miss-insertion
- 2 types ; with flanges (without hooks) and without flanges (with hooks)
- 5 sizes, from 120 to 200 pins
- Low insertion and withdrawal force, 13.7kg and 6.6kg 200 pin connector respectively
- RoHS compliance

SPECIFICATIONS

- Insulator : Glass-filled Nylon 66 (UL 94V-0), Black
- Contact : Phosphor Bronze
- Plating :
 - Contact area ; Gold over Nickel
 - (1) Standard : 0.05 μ m min. Gold
 - (2) Upon request : 0.25 μ m min. Gold
- Terminal area ; 2 μ m min. Tin copper over Nickel
- Current rating : 0.5A per contact
- Contact resistance : 25m Ω max.
- Dielectric withstanding voltage : 650V AC for 1 minute
- Insulation resistance : 1,000M Ω min. at 500V DC
- Operating temperature : -55°C to +85°C

Attention : High pin count connectors require additional mechanical reinforcement.

* The flexing of boards in vertical and stacked mating can occur. Boards must be reinforced sufficiently to prevent gaps from occurring between mated connectors, such gaps can occur near the center of a mated pair of long connectors and can effect connector reliability. Please take measures to address this and contact our local sales office for more information.

ORDER CODE

88 - -170 -F

- Series name
 - 8806 : Receptacle, With flanges and Without hooks
 - 8807 : Receptacle, Without flanges and With hooks
 - 8816 : Plug, With flanges and Without hooks
 - 8817 : Plug, Without flanges and With hooks
- Number of contacts
 - 120 : 120 pin
 - 140 : 140 pin
 - 160 : 160 pin
 - 180 : 180 pin
 - 200 : 200 pin
- Contact name
 - 170
- Contact tail style
 - L : Right angle
 - S : Straight
- Plating of contact area
 - Omit : Au 0.05 μ m (Standard)
 - D : Au 0.25 μ m (Upon request)
- F : RoHS Compliance

MATING VARIATIONS

Horizontal Mating

8816/8817-□□□-170L□-F 8806/8807-□□□-170L□-F

Mated distance
17.91(0.705)

Vertical Mating

8816/8817-□□□-170L□-F 8806/8807-□□□-170S□-F

Mated distance
17.505(0.689)

Stacked Mating

8816/8817-□□□-170S□-F 8806/8807-□□□-170S□-F

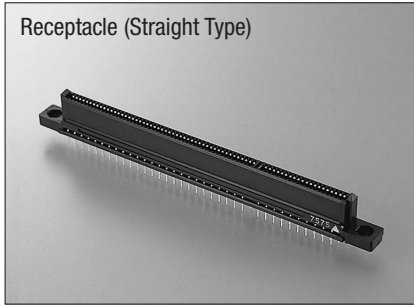
Mated distance
17.10(0.673)

Mated distance
17.505(0.689)

Unit:mm(inch)

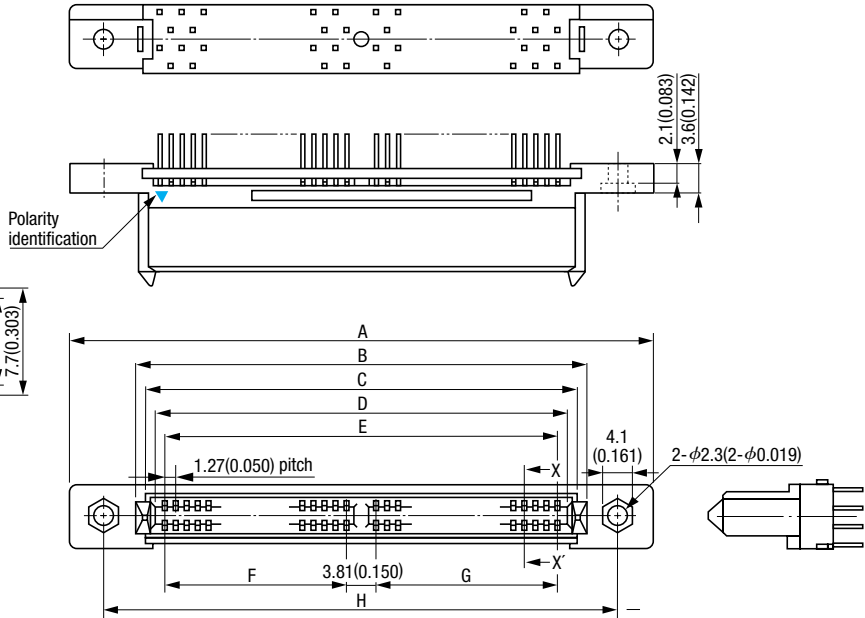
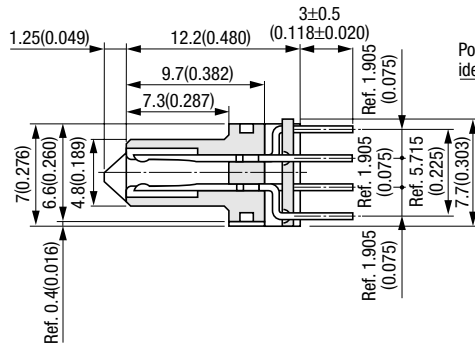
8806-□□□-170S□-F (Receptacle, With flanges, Without hooks)

Receptacle (Straight Type)

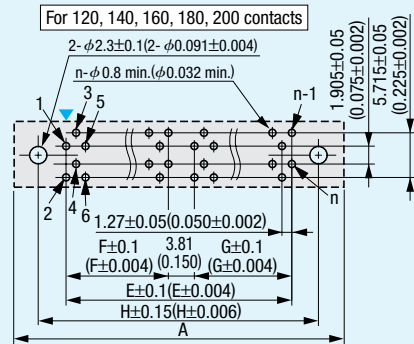


Unit:mm(inch)

X-X' Cross Section



Printed Circuit Board Layout (Component Side View)



▼=Polarity identification
 Recommended PCB Thickness $t=1.6\pm0.19(0.063\pm0.007)$
 "n" is number of contacts.

Product Table / Dimensions

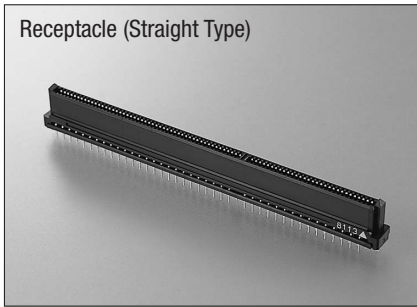
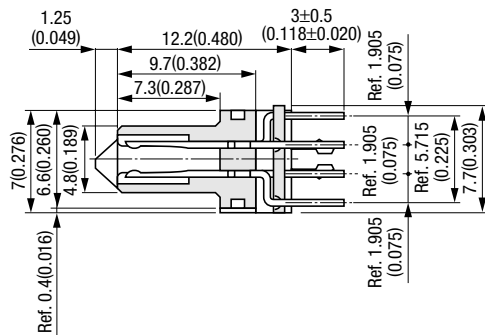
No. of contacts	Part Number	A	B	C	D	E	F	G	H
120	8806-120-170S□-F	99.2 (3.906)	84.1 (3.311)	81.47 (3.207)	79.47 (3.129)	77.47 (3.050)	24.13 (0.950)	49.53 (1.950)	91.44 (3.600)
140	8806-140-170S□-F	111.9 (4.406)	96.8 (3.811)	94.17 (3.707)	92.17 (3.629)	90.17 (3.550)	24.13 (0.950)	62.23 (2.450)	104.14 (4.100)
160	8806-160-170S□-F	124.6 (4.906)	109.5 (4.311)	106.87 (4.207)	104.87 (4.129)	102.87 (4.050)	36.83 (1.450)	62.23 (2.450)	116.84 (4.600)
180	8806-180-170S□-F	137.3 (5.406)	122.2 (4.811)	119.57 (4.707)	117.57 (4.629)	115.57 (4.550)	49.53 (1.950)	62.23 (2.450)	129.54 (5.100)
200	8806-200-170S□-F	150.0 (5.906)	134.9 (5.311)	132.27 (5.207)	130.27 (5.129)	128.27 (5.050)	62.23 (2.450)	62.23 (2.450)	142.24 (5.600)

These connectors do not have a symmetrical board layout pattern. The 120 pin connectors have 80 pins on one side and 40 pins on the other. All other pin counts have 100 pins on one side and the balance on the other side.

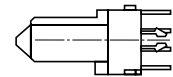
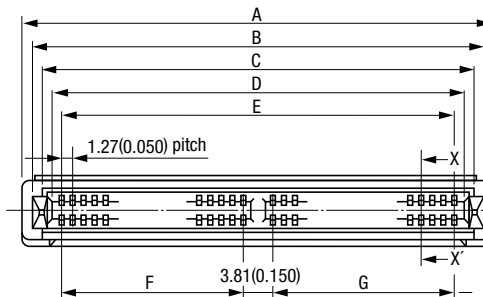
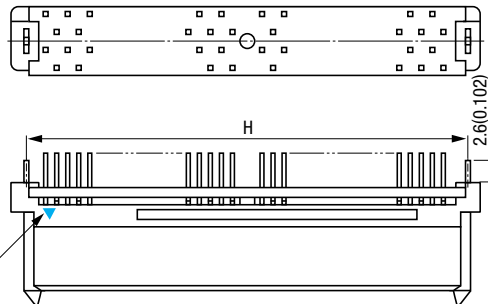
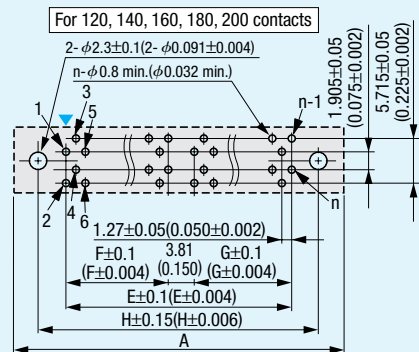
8807-□□□-170S□-F (Receptacle, Without flanges, With hooks)

Unit:mm(inch)

Receptacle (Straight Type)


X-X' Cross Section


Polarity identification


Printed Circuit Board Layout (Component Side View)


▼=Polarity identification

 Recommended PCB Thickness $t=1.6\pm0.19(0.063\pm0.007)$

"n" is number of contacts.

Product Table / Dimensions

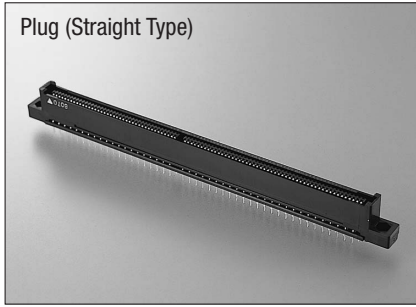
No. of contacts	Part Number	A	B	C	D	E	F	G	H
120	8807-120-170S□-F	86.5 (3.406)	84.1 (3.311)	81.47 (3.207)	79.47 (3.129)	77.47 (3.050)	24.13 (0.950)	49.53 (1.950)	83.82 (3.300)
140	8807-140-170S□-F	99.2 (3.906)	96.8 (3.811)	94.17 (3.707)	92.17 (3.629)	90.17 (3.550)	24.13 (0.950)	62.23 (2.450)	96.52 (3.800)
160	8807-160-170S□-F	111.9 (4.406)	109.5 (4.311)	106.87 (4.207)	104.87 (4.129)	102.87 (4.050)	36.83 (1.450)	62.23 (2.450)	109.22 (4.300)
180	8807-180-170S□-F	124.6 (4.906)	122.2 (4.811)	119.57 (4.707)	117.57 (4.629)	115.57 (4.550)	49.53 (1.950)	62.23 (2.450)	121.92 (4.800)
200	8807-200-170S□-F	137.3 (5.406)	134.9 (5.311)	132.27 (5.207)	130.27 (5.129)	128.27 (5.050)	62.23 (2.450)	62.23 (2.450)	134.62 (5.300)

These connectors do not have a symmetrical board layout pattern. The 120 pin connectors have 80 pins on one side and 40 pins on the other. All other pin counts have 100 pins on one side and the balance on the other side.

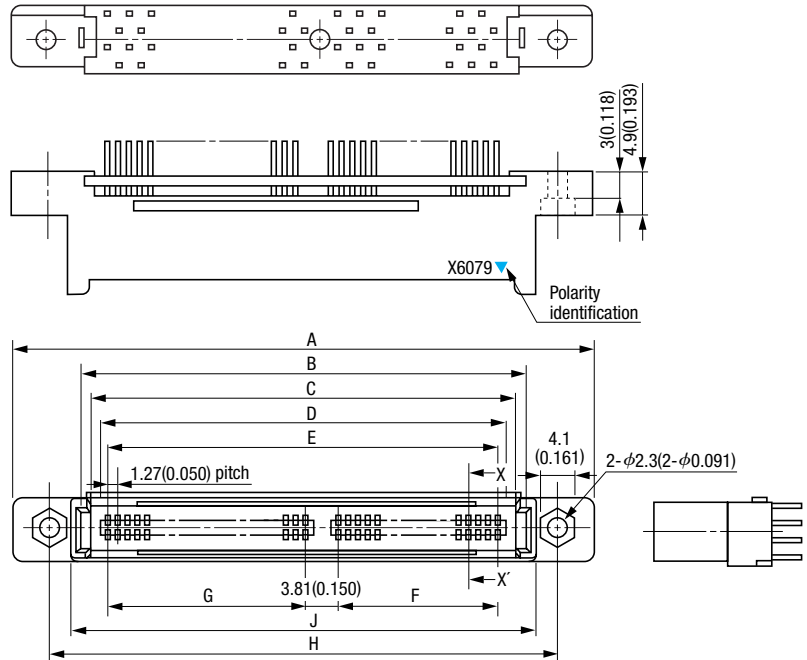
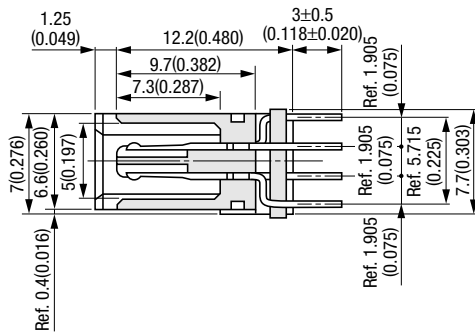
8816-□□□-170S□-F (Plug, With flanges, Without hooks)

Unit:mm(inch)

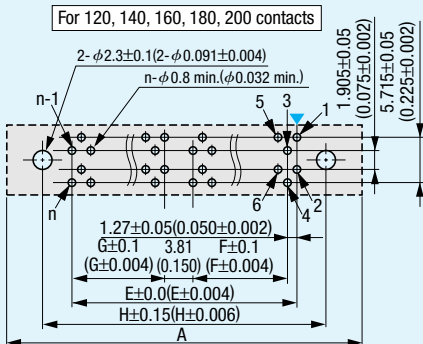
Plug (Straight Type)



X-X' Cross Section



Printed Circuit Board Layout (Component Side View)



▼=Polarity identification
Recommended PCB Thickness $t=1.6\pm0.19(0.063\pm0.007)$
"n" is number of contacts.

Product Table / Dimensions

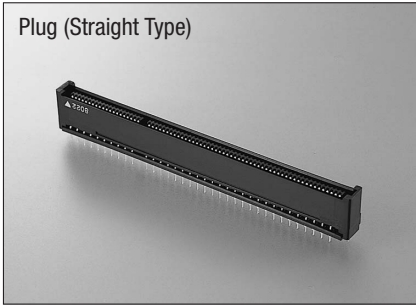
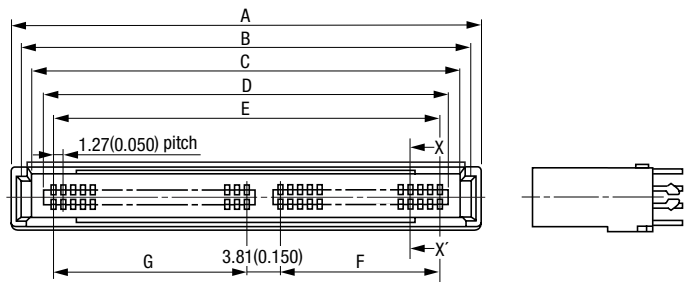
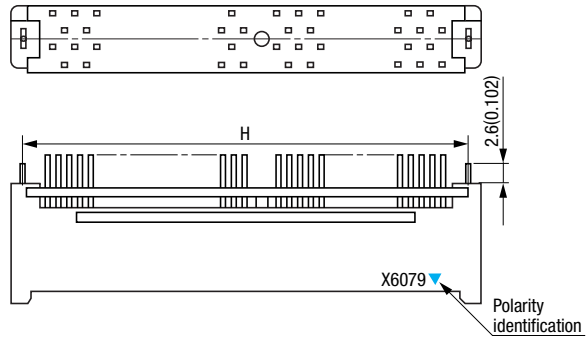
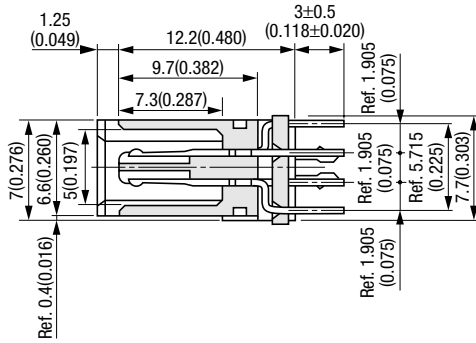
No. of contacts	Part Number	A	B	C	D	E	F	G	H	J
120	8816-120-170S□-F	99.2 (3.906)	84.5 (3.327)	81.87 (3.223)	79.17 (3.117)	77.47 (3.050)	24.13 (0.950)	49.53 (1.950)	91.44 (3.600)	86.5 (3.406)
140	8816-140-170S□-F	111.9 (4.406)	97.2 (3.827)	94.57 (3.723)	91.87 (3.617)	90.17 (3.550)	24.13 (0.950)	62.23 (2.450)	104.14 (4.100)	99.2 (3.906)
160	8816-160-170S□-F	124.6 (4.906)	109.9 (4.327)	107.27 (4.223)	104.57 (4.117)	102.87 (4.050)	36.83 (1.450)	62.23 (2.450)	116.84 (4.600)	111.9 (4.406)
180	8816-180-170S□-F	137.3 (5.406)	122.6 (4.827)	119.97 (4.723)	117.27 (4.617)	115.57 (4.550)	49.53 (1.950)	62.23 (2.450)	129.54 (5.100)	124.6 (4.906)
200	8816-200-170S□-F	150.0 (5.906)	135.3 (5.327)	132.67 (5.223)	129.97 (5.117)	128.27 (5.050)	62.23 (2.450)	62.23 (2.450)	142.24 (5.600)	137.3 (5.406)

These connectors do not have a symmetrical board layout pattern. The 120 pin connectors have 80 pins on one side and 40 pins on the other. All other pin counts have 100 pins on one side and the balance on the other side.

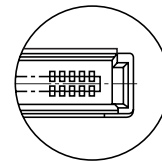
8817-□□□-170S□-F (Plug, Without flanges, With hooks)

Unit:mm(inch)

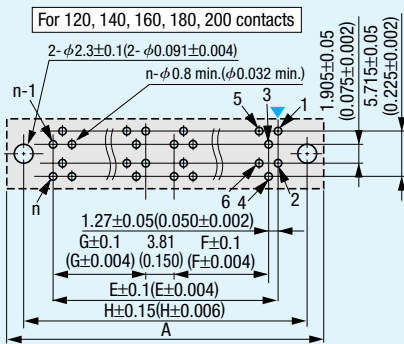
Plug (Straight Type)


X-X' Cross Section


For 160, 180, 200 contacts



For 120, 140 contacts

Printed Circuit Board Layout (Component Side View)


▼=Polarity identification
 Recommended PCB Thickness $t=1.6\pm0.19(0.063\pm0.007)$
 "n" is number of contacts.

Product Table / Dimensions

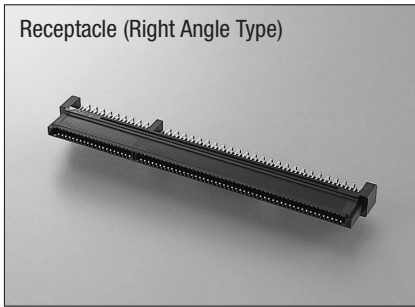
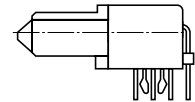
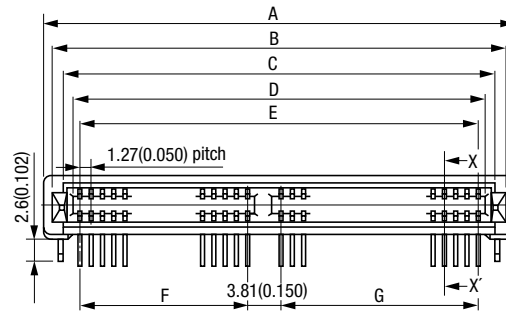
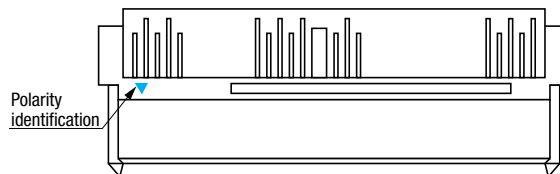
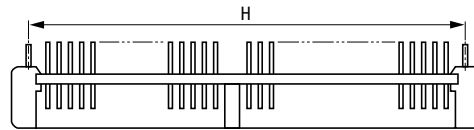
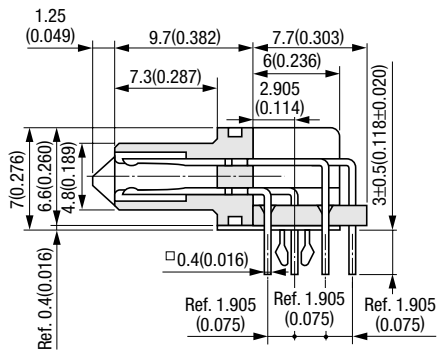
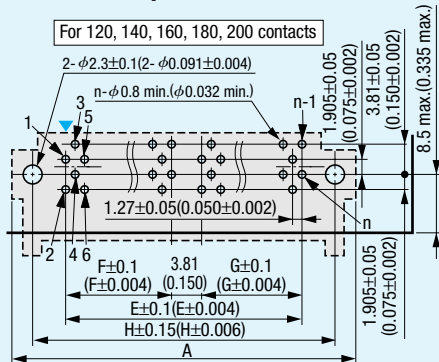
No. of contacts	Part Number	A	B	C	D	E	F	G	H
120	8817-120-170S□-F	86.5 (3.406)	84.5 (3.327)	81.87 (3.223)	79.17 (3.117)	77.47 (3.050)	24.13 (0.950)	49.53 (1.950)	83.82 (3.300)
140	8817-140-170S□-F	99.2 (3.906)	97.2 (3.827)	94.57 (3.723)	91.87 (3.617)	90.17 (3.550)	24.13 (0.950)	62.23 (2.450)	96.52 (3.800)
160	8817-160-170S□-F	111.9 (4.406)	109.9 (4.327)	107.27 (4.223)	104.57 (4.117)	102.87 (4.050)	36.83 (1.450)	62.23 (2.450)	109.22 (4.300)
180	8817-180-170S□-F	124.6 (4.906)	122.6 (4.827)	119.97 (4.723)	117.27 (4.617)	115.57 (4.550)	49.53 (1.950)	62.23 (2.450)	121.92 (4.800)
200	8817-200-170S□-F	137.3 (5.406)	135.3 (5.327)	132.67 (5.223)	129.97 (5.117)	128.27 (5.050)	62.23 (2.450)	62.23 (2.450)	134.62 (5.300)

These connectors do not have a symmetrical board layout pattern. The 120 pin connectors have 80 pins on one side and 40 pins on the other. All other pin counts have 100 pins on one side and the balance on the other side.

8807-□□□-170L□-F (Receptacle, Without flanges, With hooks)

Unit:mm(inch)

Receptacle (Right Angle Type)


X-X' Cross Section

Printed Circuit Board Layout (Component Side View)


▼Polarity identification

 Recommended PCB Thickness $t=1.6\pm0.19(0.063\pm0.007)$

"n" is number of contacts.

Product Table / Dimensions

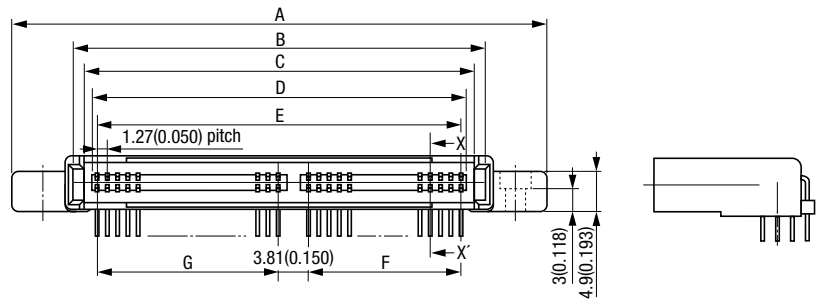
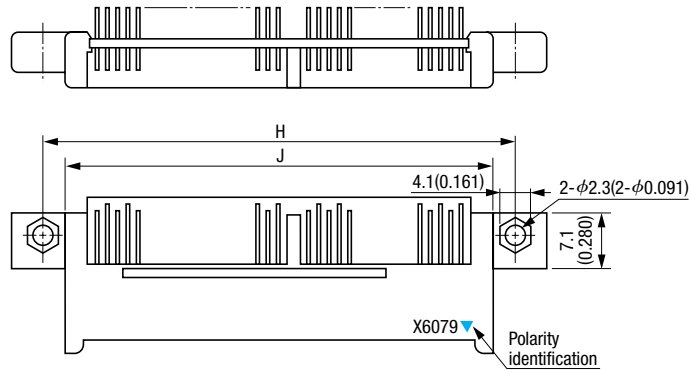
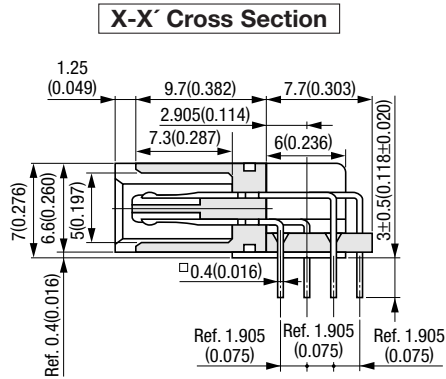
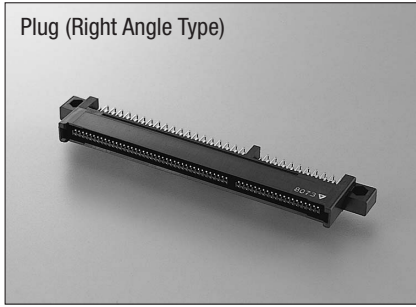
No. of contacts	Part Number	A	B	C	D	E	F	G	H
120	8807-120-170L□-F	86.5 (3.406)	84.1 (3.311)	81.47 (3.207)	79.47 (3.129)	77.47 (3.050)	24.13 (0.950)	49.53 (1.950)	83.82 (3.300)
140	8807-140-170L□-F	99.2 (3.906)	96.8 (3.811)	94.17 (3.707)	92.17 (3.629)	90.17 (3.550)	24.13 (0.950)	62.23 (2.450)	96.52 (3.800)
160	8807-160-170L□-F	111.9 (4.406)	109.5 (4.311)	106.87 (4.207)	104.87 (4.129)	102.87 (4.050)	36.83 (1.450)	62.23 (2.450)	109.22 (4.300)
180	8807-180-170L□-F	124.6 (4.906)	122.2 (4.811)	119.57 (4.707)	117.57 (4.629)	115.57 (4.550)	49.53 (1.950)	62.23 (2.450)	121.92 (4.800)
200	8807-200-170L□-F	137.3 (5.406)	134.9 (5.311)	132.27 (5.207)	130.27 (5.129)	128.27 (5.050)	62.23 (2.450)	62.23 (2.450)	134.62 (5.300)

These connectors do not have a symmetrical board layout pattern. The 120 pin connectors have 80 pins on one side and 40 pins on the other. All other pin counts have 100 pins on one side and the balance on the other side.

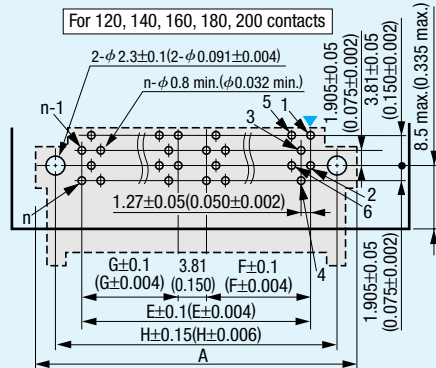
8816-□□□-170L□-F (Plug, With flanges, Without hooks)

Unit:mm(inch)

Plug (Right Angle Type)



Printed Circuit Board Layout (Component Side View)



▼=Polarity identification
 Recommended PCB Thickness $t=1.6\pm0.19(0.063\pm0.007)$
 "n" is number of contacts.

Product Table / Dimensions

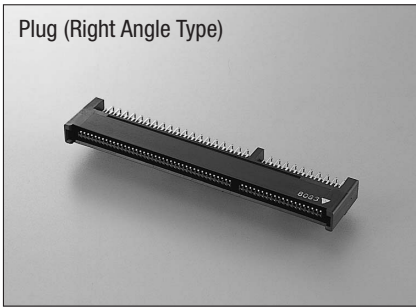
No. of contacts	Part Number	A	B	C	D	E	F	G	H	J
120	8816-120-170L□-F	99.2 (3.906)	84.5 (3.327)	81.87 (3.223)	79.17 (3.117)	77.47 (3.050)	24.13 (0.950)	49.53 (1.950)	91.44 (3.600)	86.5 (3.406)
140	8816-140-170L□-F	111.9 (4.406)	97.2 (3.827)	94.57 (3.723)	91.87 (3.617)	90.17 (3.550)	24.13 (0.950)	62.23 (2.450)	104.14 (4.100)	99.2 (3.906)
160	8816-160-170L□-F	124.6 (4.906)	109.9 (4.327)	107.27 (4.223)	104.57 (4.117)	102.87 (4.050)	36.83 (1.450)	62.23 (2.450)	116.84 (4.600)	111.9 (4.406)
180	8816-180-170L□-F	137.3 (5.406)	122.6 (4.827)	119.97 (4.723)	117.27 (4.617)	115.57 (4.550)	49.53 (1.950)	62.23 (2.450)	129.54 (5.100)	124.6 (4.906)
200	8816-200-170L□-F	150.0 (5.906)	135.3 (5.327)	132.67 (5.223)	129.97 (5.117)	128.27 (5.050)	62.23 (2.450)	62.23 (2.450)	142.24 (5.600)	137.3 (5.406)

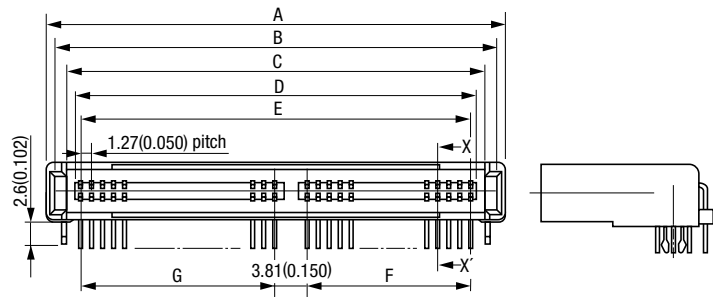
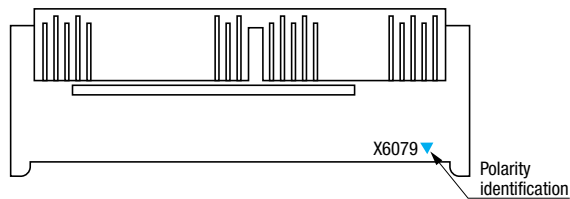
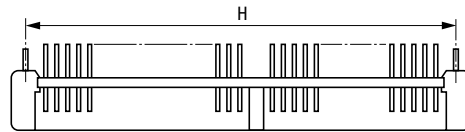
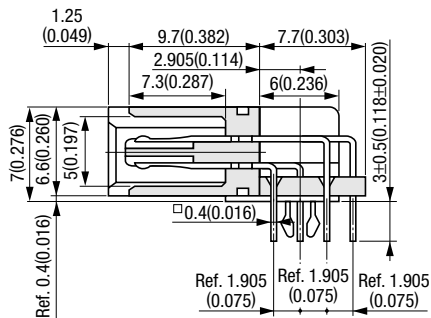
These connectors do not have a symmetrical board layout pattern. The 120 pin connectors have 80 pins on one side and 40 pins on the other. All other pin counts have 100 pins on one side and the balance on the other side.

8817-□□□-170L□-F (Plug, Without flanges, With hooks)

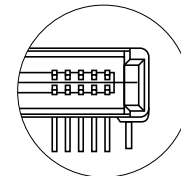
Unit:mm(inch)

Plug (Right Angle Type)

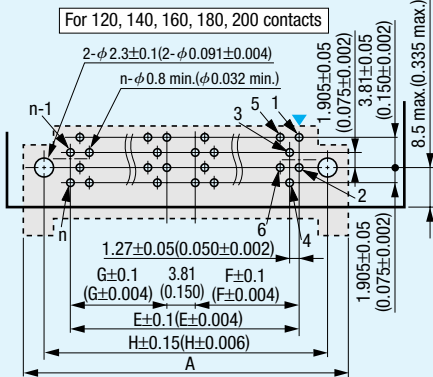

 Schareggstrasse 3, CH-5506 Mägenwil
 Tel. +41 62 896 00 48, Fax. +41 62 896 25 80
 info@admaterc.ch, www.admaterc.ch

X-X' Cross Section


For 160, 180, 200 contacts



For 120, 140 contacts

Printed Circuit Board Layout (Component Side View)

 ▼Polarity identification
 Recommended PCB Thickness $t=1.6\pm 0.19(0.063\pm 0.007)$
 "n" is number of contacts.

Product Table / Dimensions

No. of contacts	Part Number	A	B	C	D	E	F	G	H
120	8817-120-170L□-F	86.5 (3.406)	84.5 (3.327)	81.87 (3.223)	79.17 (3.117)	77.47 (3.050)	24.13 (0.950)	49.53 (1.950)	83.82 (3.300)
140	8817-140-170L□-F	99.2 (3.906)	97.2 (3.827)	94.57 (3.723)	91.87 (3.617)	90.17 (3.550)	24.13 (0.950)	62.23 (2.450)	96.52 (3.800)
160	8817-160-170L□-F	111.9 (4.406)	109.9 (4.327)	107.27 (4.223)	104.57 (4.117)	102.87 (4.050)	36.83 (1.450)	62.23 (2.450)	109.22 (4.300)
180	8817-180-170L□-F	124.6 (4.906)	122.6 (4.827)	119.97 (4.723)	117.27 (4.617)	115.57 (4.550)	49.53 (1.950)	62.23 (2.450)	121.92 (4.800)
200	8817-200-170L□-F	137.3 (5.406)	135.3 (5.327)	132.67 (5.223)	129.97 (5.117)	128.27 (5.050)	62.23 (2.450)	62.23 (2.450)	134.62 (5.300)

These connectors do not have a symmetrical board layout pattern. The 120 pin connectors have 80 pins on one side and 40 pins on the other. All other pin counts have 100 pins on one side and the balance on the other side.

Specifications and dimensions are subject to change without notice.