

FEATURES

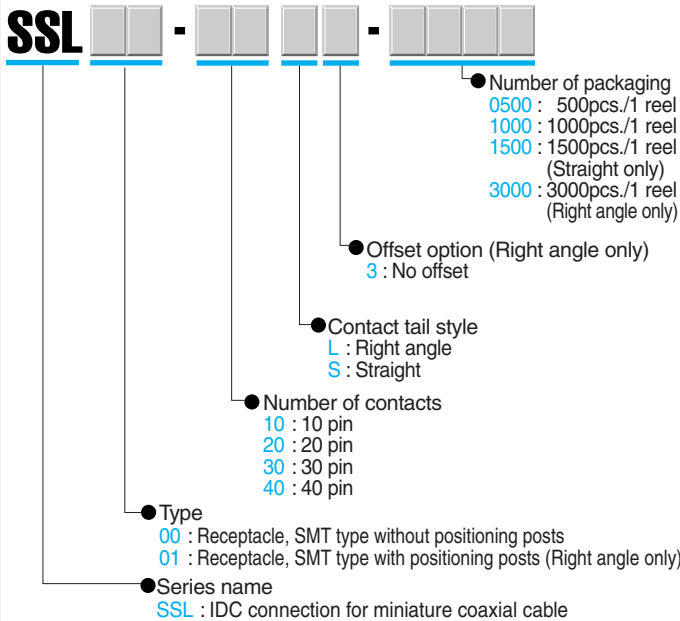
- Ultra low profile with 1.4mm(0.055") height
- 0.5mm pitch 2 piece connector
- Ultimate small design (More than 40% reduced compared to our SL Series)
- Coaxial cable and metal shell on connector provide excellent transmission and EMI protection
- Allows high speed multi-line transmission through narrow tubes and/or hinges
- IDC cable assembly (No solder connection)
- No need for special extracting tools
- RoHS compliance

SPECIFICATIONS

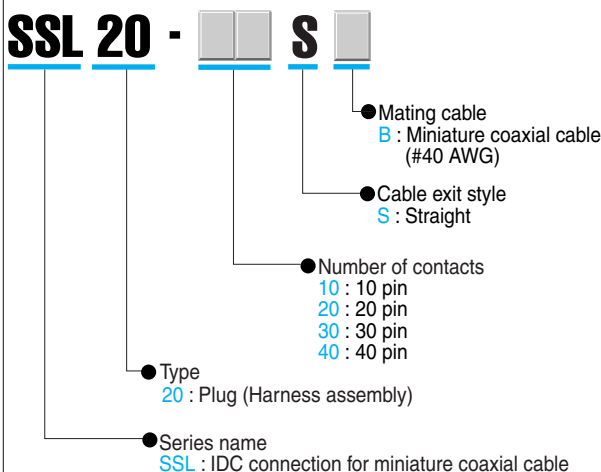
- Insulator material : Glass-filled LCP (UL 94V-0), Black
- Contact material : Copper alloy
- Contact plating : Gold over Nickel
- Shell material : Copper alloy
- Shell plating : Tin copper over Nickei
- Current rating : 0.3A per contact
- Contact resistance : 100mΩ max.
- Dielectric withstanding voltage : 200V AC for 1 minute
- Insulator resistance : 100MΩ min. at 250V DC
- Operating temperature : -40°C to +85°C

*Please contact your local sales office for order less than 500 pcs

ORDER CODE



ORDER CODE



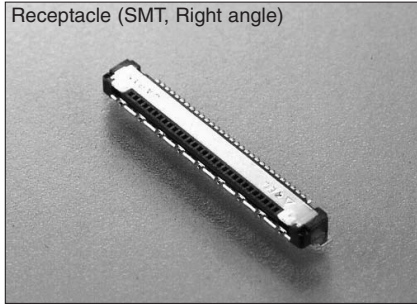
APPLICATIONS

PDA, Cellular phone, PDP, Digital camera, Digital video camera, Note PC, Car navigation, Portable DVD player, Digital TV, Optical printer, Robot, Game machine, Medical equipment, etc.

Schareggstrasse 3, CH-5506 Mägenwil
 Tel. +41 62 896 00 48, Fax. +41 62 896 25 80
 info@admatec.ch, www.admatec.ch

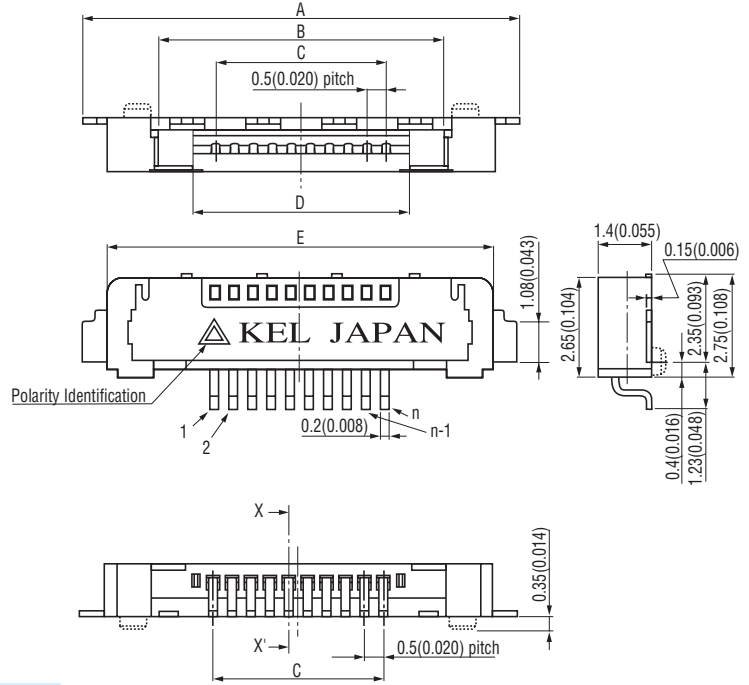
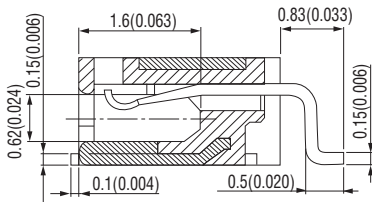
SSL0□-□□L3-□□□□ (Receptacle for No offset, Right angle)

Receptacle (SMT, Right angle)

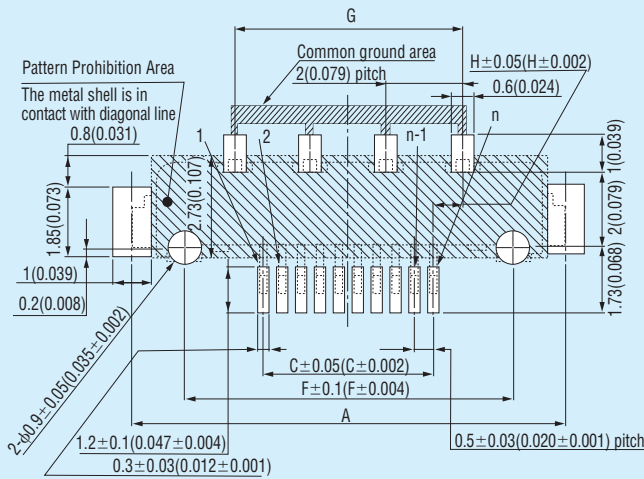


Unit:mm(inch)

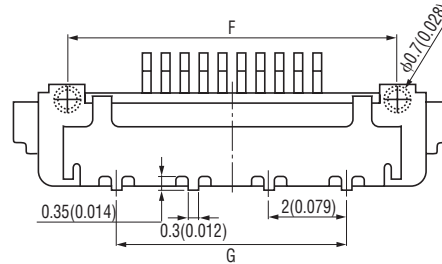
X-X' Cross Section



Recommended Board Layout (Components Side View)



*"n" is number of contacts.



Ground Installation

No. of contacts	No. of ground
10	4
20	6
30	9
40	11

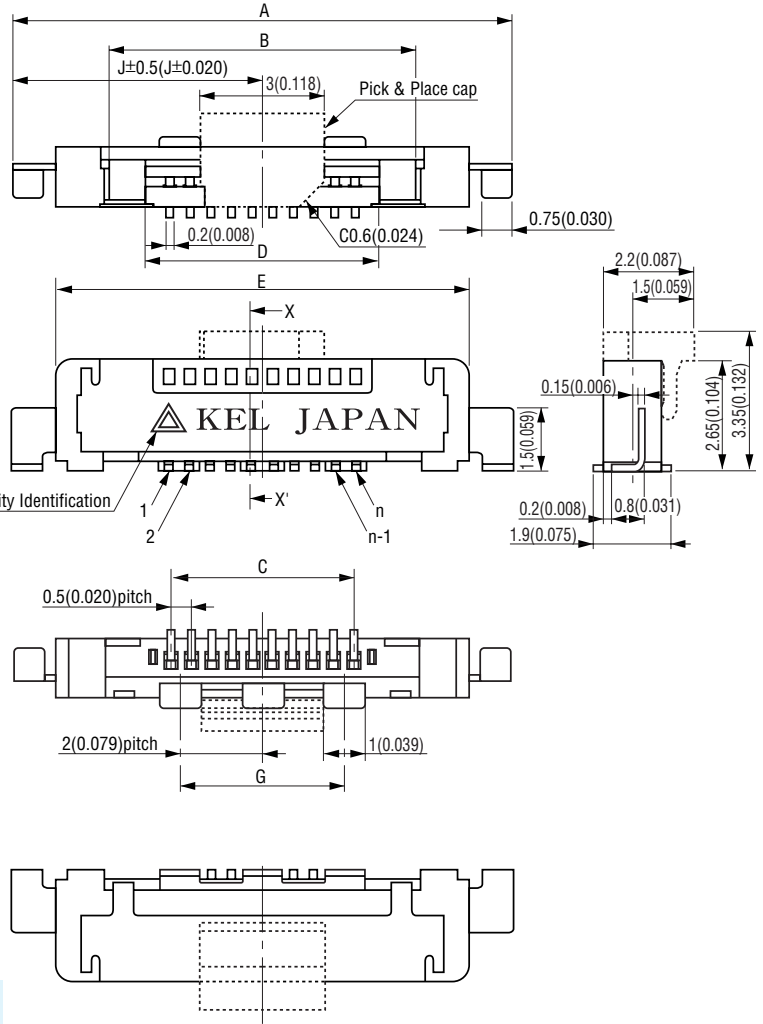
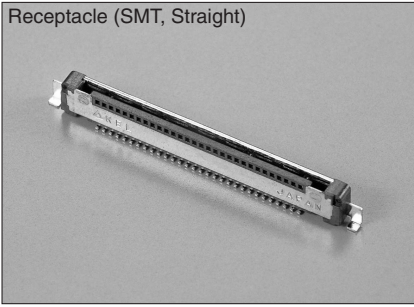
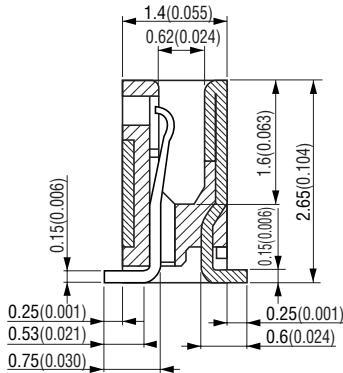
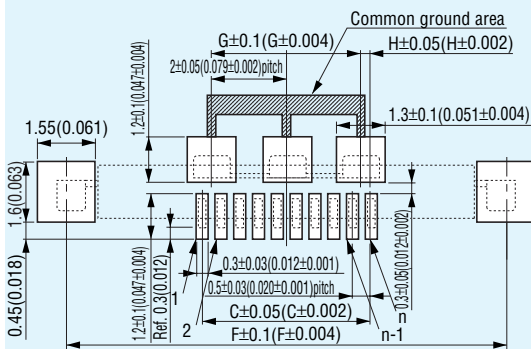
Product Table / Dimensions

No. of contacts	Part Number	A	B	C	D	E	F	G	H
10	SSL0□-10L3-□□□□	11.4 (0.449)	7.5 (0.295)	4.5 (0.177)	5.7 (0.224)	10.1 (0.398)	8.6 (0.339)	6.0 (0.236)	0.75 (0.030)
20	SSL0□-20L3-□□□□	16.4 (0.646)	12.5 (0.492)	9.5 (0.374)	10.7 (0.421)	15.1 (0.594)	13.6 (0.535)	10.0 (0.394)	0.25 (0.010)
30	SSL0□-30L3-□□□□	21.4 (0.843)	17.5 (0.689)	14.5 (0.571)	15.7 (0.618)	20.1 (0.791)	18.6 (0.732)	16.0 (0.630)	0.75 (0.030)
40	SSL0□-40L3-□□□□	26.4 (1.039)	22.5 (0.886)	19.5 (0.768)	20.7 (0.815)	25.1 (0.988)	23.6 (0.929)	20.0 (0.787)	0.25 (0.010)

SSL00-□□S-□□□□(Receptacle, Straight)

Unit:mm(inch)

Receptacle (SMT, Straight)


X-X' Cross Section

Recommended Board Layout (Components Side View)


"n" is number of contacts.

Ground Installation

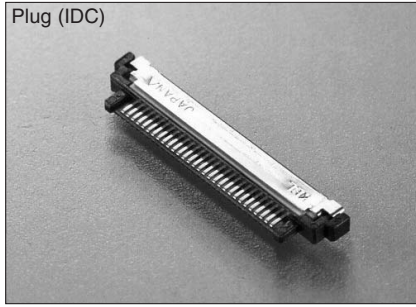
No. of contacts	No. of Ground
10	3
20	5
30	8
40	10

Product Table / Dimensions

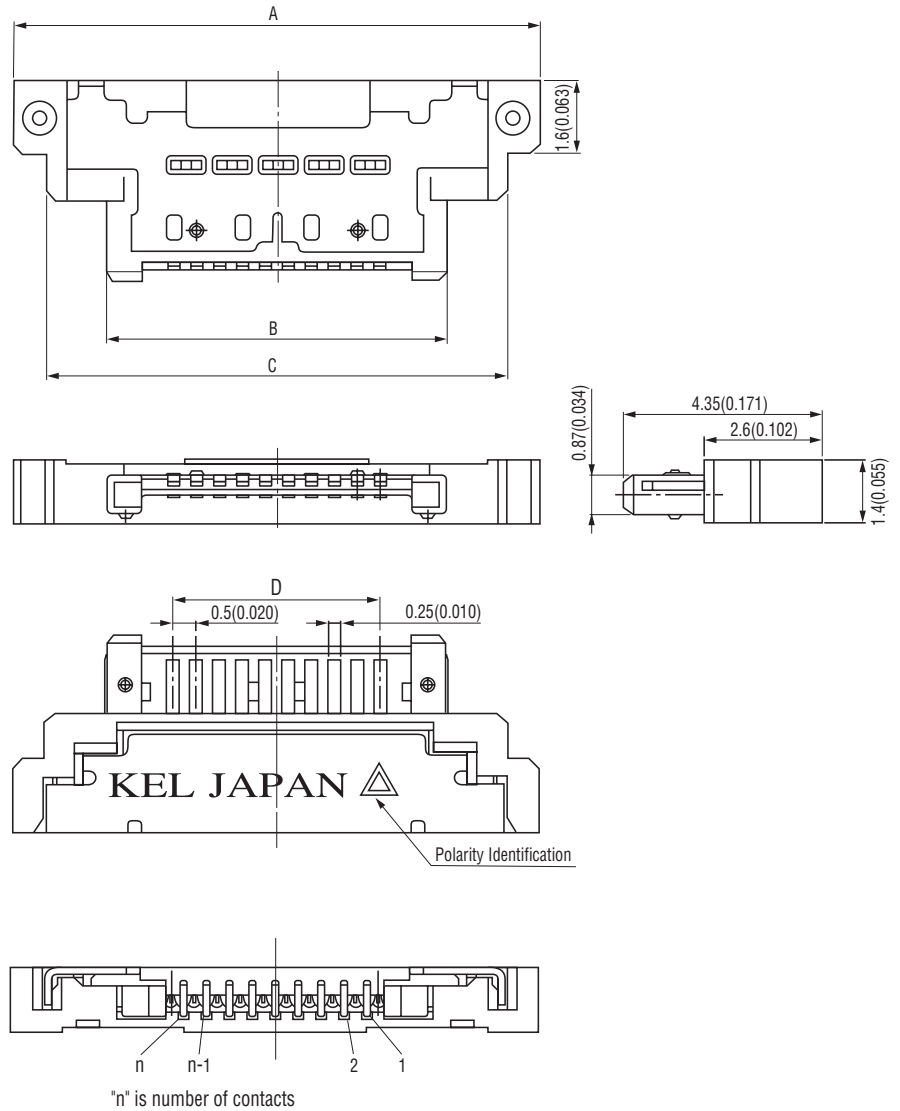
No. of contacts	Part Number	A	B	C	D	E	F	G	H	J
10	SSL00-10S-□□□□	12.2 (0.480)	7.5 (0.295)	4.5 (0.177)	5.7 (0.224)	10.1 (0.398)	11.75 (0.463)	4.0 (0.157)	0.25 (0.010)	6.1 (0.240)
20	SSL00-20S-□□□□	17.2 (0.677)	12.5 (0.492)	9.5 (0.374)	10.7 (0.421)	15.1 (0.594)	16.75 (0.659)	8.0 (0.315)	0.75 (0.030)	8.6 (0.339)
30	SSL00-30S-□□□□	22.2 (0.874)	17.5 (0.689)	14.5 (0.571)	15.7 (0.618)	20.1 (0.791)	21.75 (0.856)	14.0 (0.551)	0.25 (0.010)	11.1 (0.437)
40	SSL00-40S-□□□□	27.2 (1.071)	22.5 (0.886)	19.5 (0.768)	20.7 (0.815)	25.1 (0.988)	26.75 (1.053)	18.0 (0.709)	0.75 (0.030)	13.6 (0.535)

SSL20-□□S□ (Plug, IDC)

Plug (IDC)



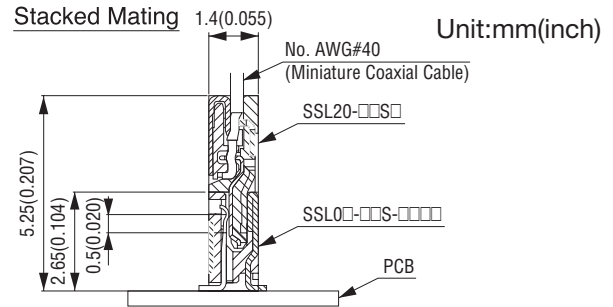
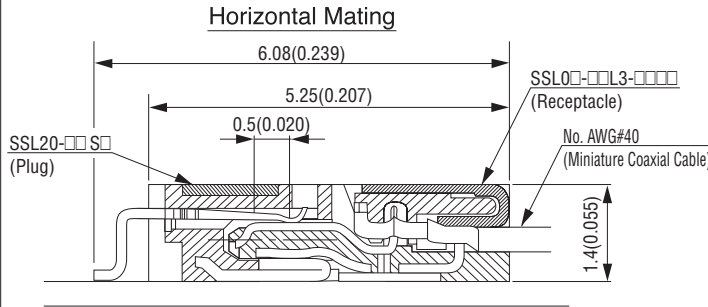
Unit:mm(inch)



■ Product Table / Dimensions

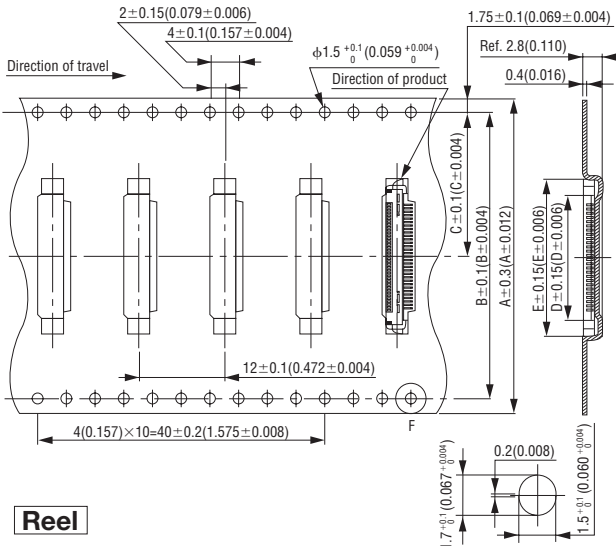
No. of contacts	Part Number	A	B	C	D
10	SSL20-10S□	11.5 (0.453)	7.5 (0.295)	10.1 (0.398)	4.5 (0.177)
20	SSL20-20S□	16.5 (0.650)	12.5 (0.492)	15.1 (0.594)	9.5 (0.374)
30	SSL20-30S□	21.5 (0.846)	17.5 (0.689)	20.1 (0.791)	14.5 (0.571)
40	SSL20-40S□	26.5 (1.043)	22.5 (0.886)	25.1 (0.988)	19.5 (0.768)

Mating Cross-Section Drawing

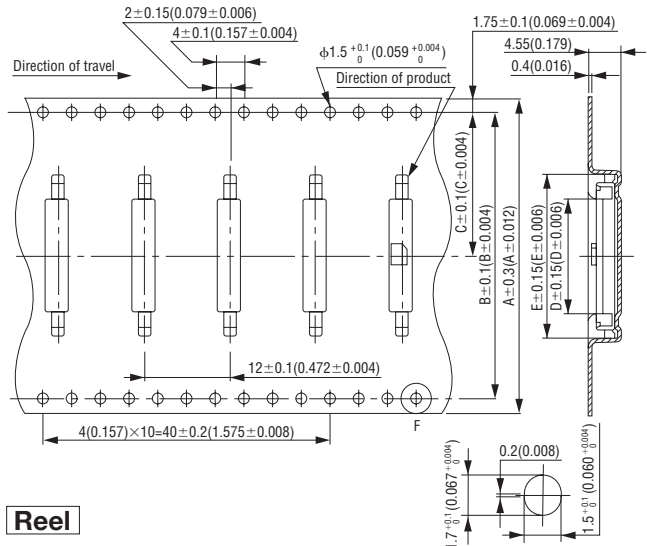


Packaging Specification

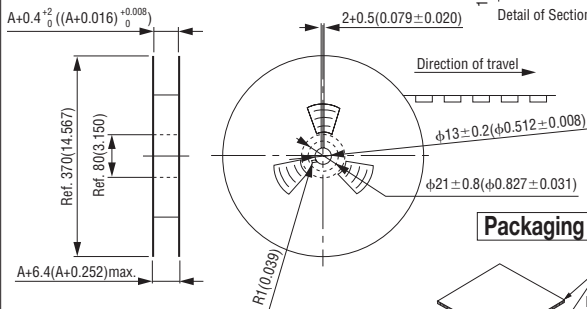
Carrier tape SSL0-□□L3-□□□



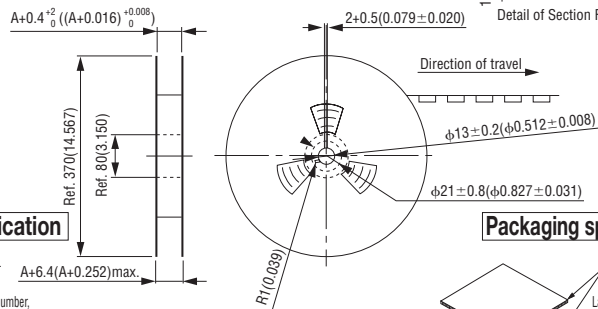
Carrier tape SSL0-□□S-□□□



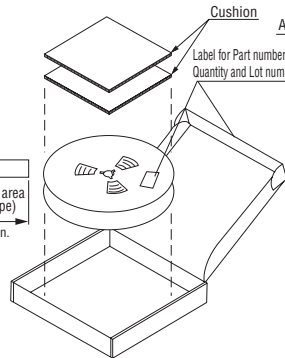
Reel



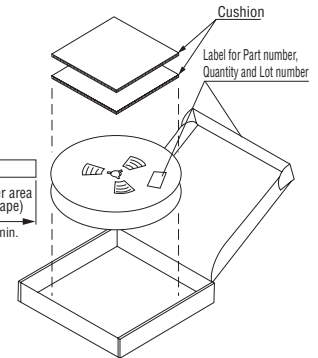
Reel



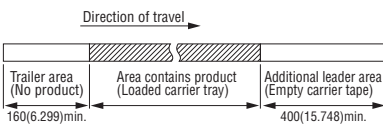
Packaging specification



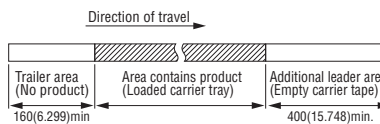
Packaging specification



Lead tape length



Lead tape length



Exfoliation strength(Top cover tape)

Conforms to JIS C0806-3 standard

Exfoliation strength(Top cover tape)

Conforms to JIS C0806-3 standard

Product Table / Dimensions

No. of contacts	Part Number	A	B	C	D	E
10	SSL0-10L3-□□□	32.0 (1.260)	28.4 (1.118)	14.2 (0.559)	7.3 (0.287)	11.7 (0.461)
20	SSL0-20L3-□□□	32.0 (1.260)	28.4 (1.118)	14.2 (0.559)	12.3 (0.484)	16.7 (0.657)
30	SSL0-30L3-□□□	44.0 (1.732)	40.4 (1.591)	20.2 (0.795)	17.3 (0.681)	21.7 (0.854)
40	SSL0-40L3-□□□	44.0 (1.732)	40.4 (1.591)	20.2 (0.795)	22.3 (0.878)	26.7 (1.051)

Product Table / Dimensions

No. of contacts	Part Number	A	B	C	D	E
10	SSL0-10S-□□□	32.0 (1.260)	28.4 (1.118)	14.2 (0.559)	5.6 (0.220)	12.5 (0.492)
20	SSL0-20S-□□□	32.0 (1.260)	28.4 (1.118)	14.2 (0.559)	10.6 (0.417)	17.5 (0.689)
30	SSL0-30S-□□□	44.0 (1.732)	40.4 (1.591)	20.2 (0.795)	15.6 (0.614)	22.5 (0.886)
40	SSL0-40S-□□□	44.0 (1.732)	40.4 (1.591)	20.2 (0.795)	20.6 (0.811)	27.5 (1.083)

● ORDER CODE

SSL 20- [] SSB- [] -B []

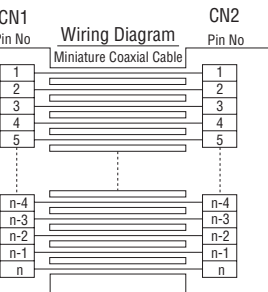
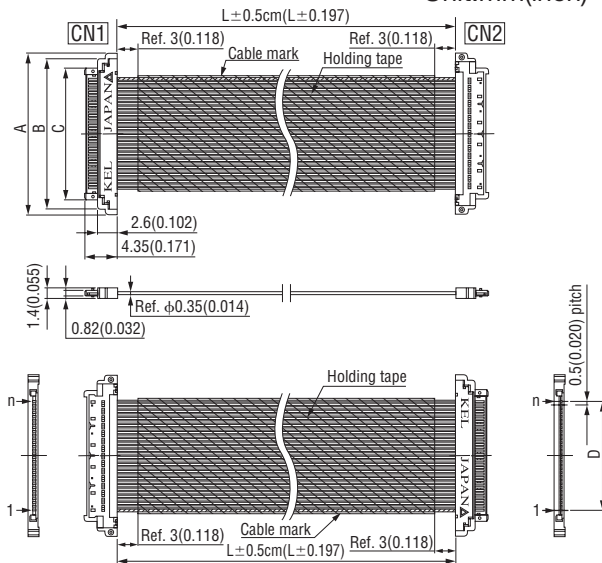
- Holding tape
Omit : Without tape
H : With tape
 - Wiring code
B : Pin 1 to Pin 1
 - Cable length(cm), L dimension
(Example : 015=15cm)
 - Cable type
B : #40 AWG coaxial cable
 - Connector style (Right side, CN2)
S : Straight
 - Connector style (Left side, CN1)
S : Straight
 - Number of contacts
10 : 10 pin
20 : 20 pin
30 : 30 pin
40 : 40 pin
 - Series name
- *Cable length is set to 50cm by the longest.

● ORDER CODE

SSL 20- [] SSB- [] -C []

- Holding tape
Omit : Without tape
H : With tape
 - Wiring code
C : Pin 1 to Pin n
 - Cable length(cm), L dimension
(Example : 015=15cm)
 - Cable type
B : #40 AWG coaxial cable
 - Connector style (Right side, CN2)
S : Straight
 - Connector style (Left side, CN1)
S : Straight
 - Number of contacts
10 : 10 pin
20 : 20 pin
30 : 30 pin
40 : 40 pin
 - Series name
- *Cable length is set to 50cm by the longest.

Unit:mm(inch)

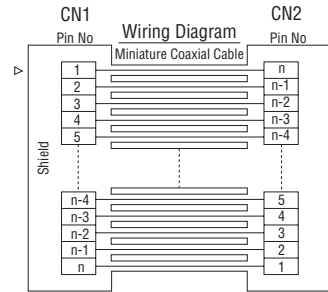
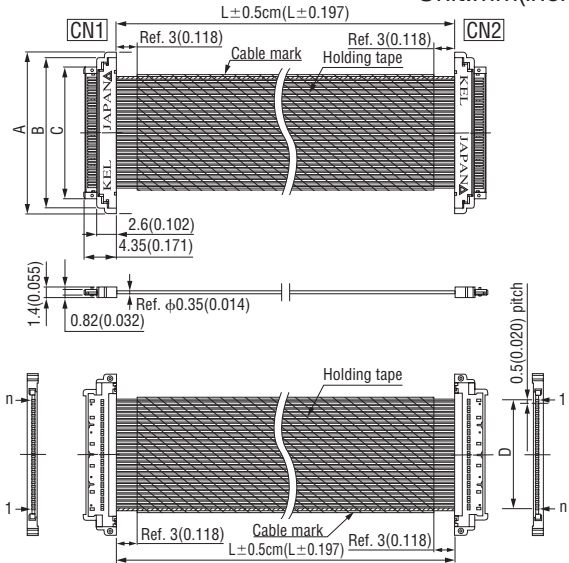


* "n" is number of contacts.
▽=Polarity identification

■ Product Table / Dimensions

No. of contacts	Part Number	A	B	C	D
10	SSL20-10SSB-□□□-B□	11.5 (0.453)	10.1 (0.398)	7.5 (0.295)	4.5 (0.177)
20	SSL20-20SSB-□□□-B□	16.5 (0.650)	15.1 (0.595)	12.5 (0.492)	9.5 (0.374)
30	SSL20-30SSB-□□□-B□	21.5 (0.847)	20.1 (0.791)	17.5 (0.689)	14.5 (0.571)
40	SSL20-40SSB-□□□-B□	26.5 (1.043)	25.1 (0.988)	22.5 (0.886)	19.5 (0.768)

Unit:mm(inch)



* "n" is number of contacts.
▽=Polarity identification

■ Product Table / Dimensions

No. of contacts	Part Number	A	B	C	D
10	SSL20-10SSB-□□□-C□	11.5 (0.453)	10.1 (0.398)	7.5 (0.295)	4.5 (0.177)
20	SSL20-20SSB-□□□-C□	16.5 (0.650)	15.1 (0.595)	12.5 (0.492)	9.5 (0.374)
30	SSL20-30SSB-□□□-C□	21.5 (0.847)	20.1 (0.791)	17.5 (0.689)	14.5 (0.571)
40	SSL20-40SSB-□□□-C□	26.5 (1.043)	25.1 (0.988)	22.5 (0.886)	19.5 (0.768)

Recommended Soldering Condition

- Soldering Iron : 350°C max., 3 seconds max.
- Pulse Heating : 260°C max., 3 seconds max.
(Pre-heating) : 160°C max., 3 seconds max.
- Reflow : IR Reflow
- Stencil thickness for soldering paste : 0.12mm(0.005")

Temperature profile for IR reflow.



Schareggstrasse 3, CH-5506 Mägenwil
 Tel. +41 62 896 00 48, Fax. +41 62 896 25 80
 info@admatec.ch, www.admatec.ch

