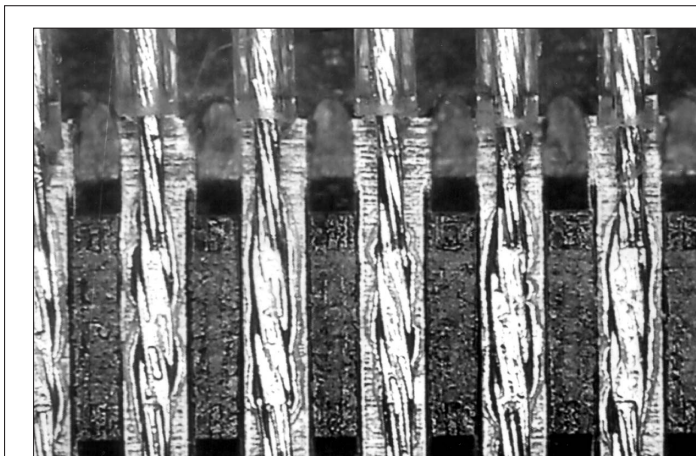


ORDER CODE

SL **0** **1** **2** **3** **4** **5** **6** **7** **8** **9** **F**

- **F** : RoHS compliance
- Packaging
 - Omit** : Embossed tape (500pcs. per reel)
 - P** : Pipe
- Contact tail style
 - S** : Straight
 - L** : Right angle
- Number of contacts
 - 20** : 20 pin
 - 26** : 26 pin
 - 30** : 30 pin
 - 40** : 40 pin
 - 48** : 48 pin
- Offset option (Right angle type only)
 - 1** : 0.6mm (0.024") offset
 - 2** : 0.4mm (0.016") offset
 - 3** : No offset
- Variation
 - 00** : Receptacle, SMT, Without positioning posts and With Pick&Place cap (Straight type only. Right angle type has Pick&Place capability)
 - 01** : Receptacle, SMT, With positioning posts and Without Pick&Place cap
- Series name
 - SL** : Connector for miniature coaxial cable



● Harness assemblies for miniature coaxial cable are based on our original "Pulse Heat" soldering method due to highly reliable connection. Accumulated knowledge of our harness assembly technology provides a variety of harness products to meet customer's needs.

● **PULSE HEAT SOLDERING**
 Pulse Heat soldering method is implemented by instantaneous temperature change (Heat up & Cool down) and the tightly controlled temperature of the soldering bar, this assures stable & highly reliable soldered connection with less solder. (Photograph left: soldered connector terminal and cable)

FEATURES

- Connector for Notebook PC to LCD interconnect and LVDS applications (LVDS: Low Voltage Differential Signaling)
- For #40 AWG miniature coaxial cable
- Ultra low profile with 1.5mm (Right angle Receptacle to Straight Plug, including PCB thickness), 5.6mm (Straight Receptacle to Right angle Plug)
- The 3 variations of PCB mount connectors feature versions with 0.4mm and 0.6mm offsets, and a version with no offset. (Right angle Receptacle)
- Signal terminals are soldered by Pulse Heat in one shot and keep a stable & highly reliable connection
- Superior design protects the contacts from damage
- Designed for 50Ω characteristic impedance and antitwisting cable (more than 100,000 cycles) for harness assembly
- Sensible mating and reliable connection
- Miniature coaxial cable (#40 AWG) and metal shell provide excellent transmission and EMI protection
- RoHS compliance

SPECIFICATIONS

- Insulator material : Glass-filled LCP (UL 94V-0), Black
- Contact material : Phosphor Bronze
- Contact plating : 0.05μm min. Gold over Nickel
- SMT Retention clip : Copper alloy
- SMT Retention clip plating : 0.05μm min. Gold over Nickel
- Shell material : Copper alloy
- Shell plating : 0.5μm min. Nickel
- Pick&Place cap material : Glass-filled Nylon 46 (UL 94V-0), Black
- Current rating : 0.3A per contact
- Contact resistance : 50mΩ max. (Except for the cable resistance)
- Dielectric withstanding voltage : 200V AC for 1 minute
- Insulation resistance : 100MΩ min. at 250V DC
- Operating temperature : -55°C to +85°C

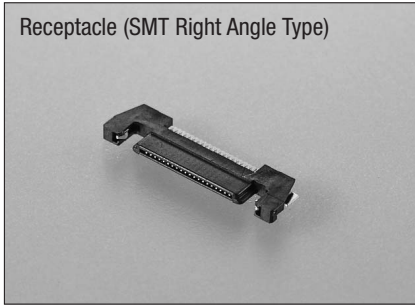
NOTE

Plug connectors are provided with a harness assembly. Please contact your local sales office for further information when ordering. (Refer to page A-12)

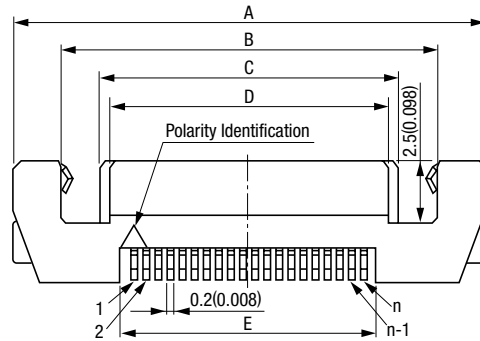
[Our standard packaging style for Receptacle connectors in "Embossed tape (Tape&Reel)", 500 pieces per reel. Orders accepted in 500 pieces increments. Please contact your local sales office for orders less than 500 pieces.]

SL0□-□□L1□-F (Receptacle for 0.6mm Offset or PCB thickness, Right angle)

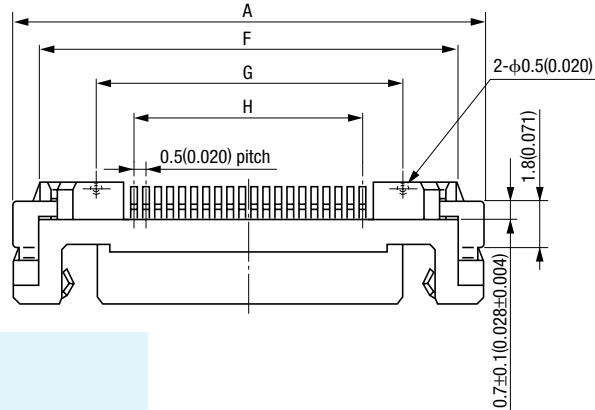
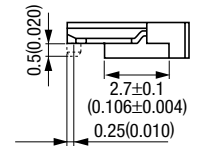
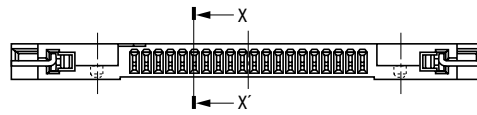
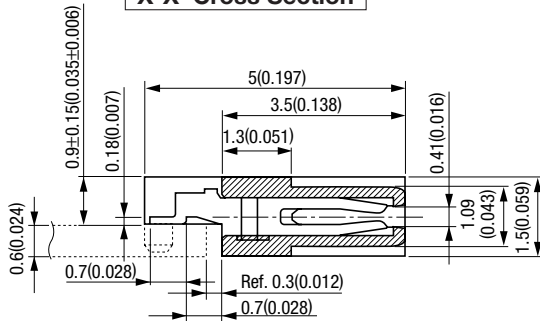
Receptacle (SMT Right Angle Type)



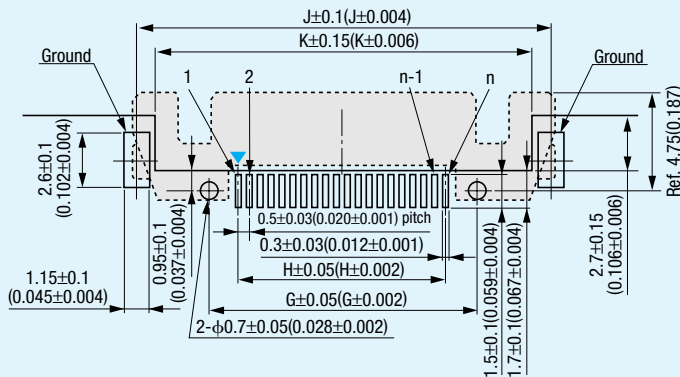
Unit:mm(inch)



X-X' Cross Section



Recommended Board Layout (Component Side View)



"n" is number of contacts.

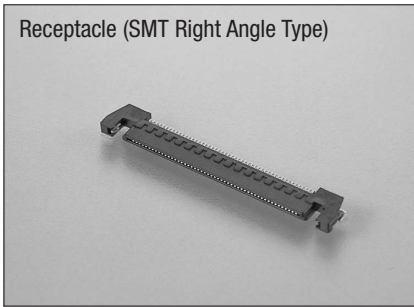
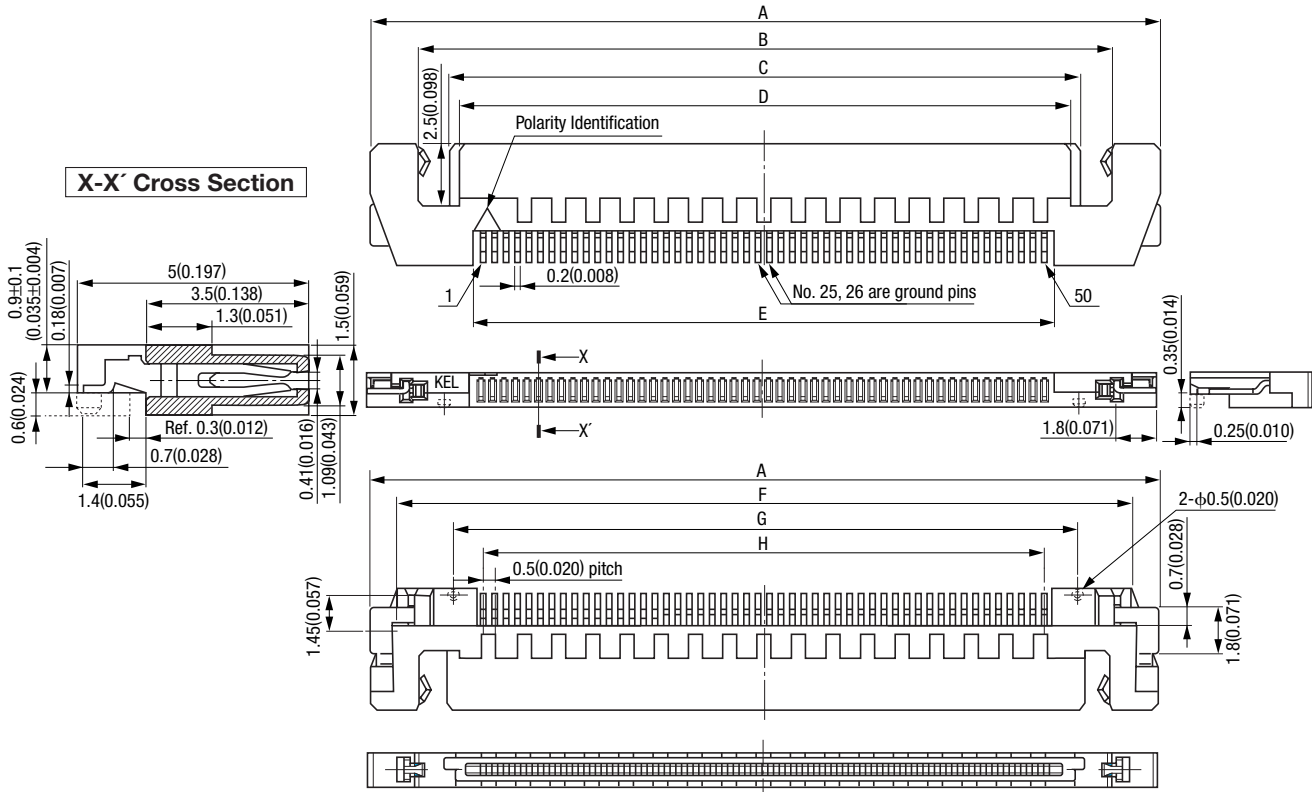
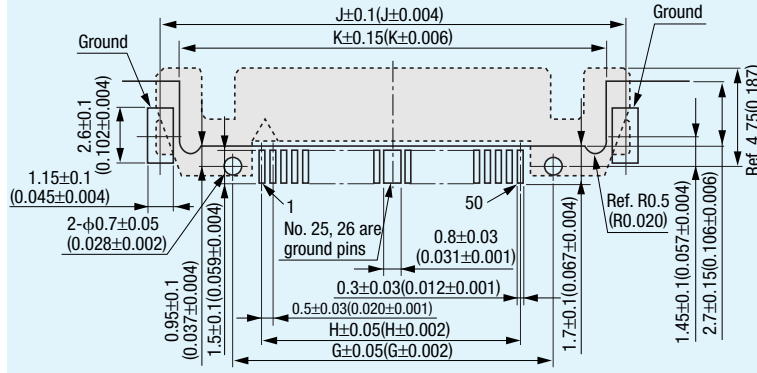
Product Table / Dimensions

No. of contacts	Part Number	A	B	C	D	E	F	G	H	J	K
20	SL0□-20L1□-F	19.50 (0.768)	15.50 (0.610)	12.50 (0.492)	11.50 (0.453)	10.50 (0.413)	17.40 (0.685)	12.70 (0.500)	9.50 (0.374)	19.35 (0.762)	17.80 (0.701)
26	SL0□-26L1□-F	22.50 (0.886)	18.50 (0.728)	15.50 (0.610)	14.50 (0.571)	13.50 (0.531)	20.40 (0.803)	15.70 (0.618)	12.50 (0.492)	22.35 (0.880)	20.80 (0.819)
30	SL0□-30L1□-F	24.50 (0.965)	20.50 (0.807)	17.50 (0.689)	16.50 (0.650)	15.50 (0.610)	22.40 (0.882)	17.70 (0.697)	14.50 (0.571)	24.35 (0.959)	22.80 (0.898)
40	SL0□-40L1□-F	29.50 (1.161)	25.50 (1.004)	22.50 (0.886)	21.50 (0.846)	20.50 (0.807)	27.40 (1.079)	22.70 (0.894)	19.50 (0.768)	29.35 (1.156)	27.80 (1.094)

SL0□-48L1□-F (Receptacle for 0.6mm Offset or PCB thickness, Right angle, 48pin)

Receptacle (SMT Right Angle Type)

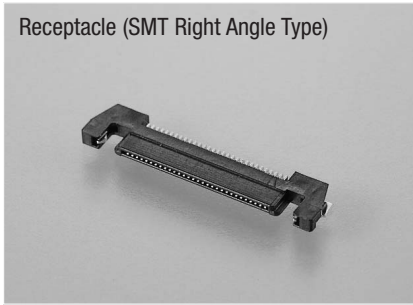
Unit:mm(inch)


X-X' Cross Section

Recommended Board Layout (Component Side View)

Product Table / Dimensions

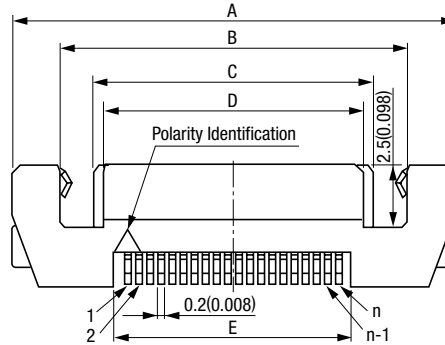
No. of contacts	Part Number	A	B	C	D	E	F	G	H	J	K
48	SL0□-48L1□-F	34.50 (1.358)	30.50 (1.201)	27.90 (1.098)	26.90 (1.059)	25.50 (1.004)	32.40 (1.276)	27.70 (1.091)	24.50 (0.965)	34.35 (1.352)	32.80 (1.291)

SL0□-□□L2□-F (Receptacle for 0.4mm Offset or PCB thickness, Right angle)

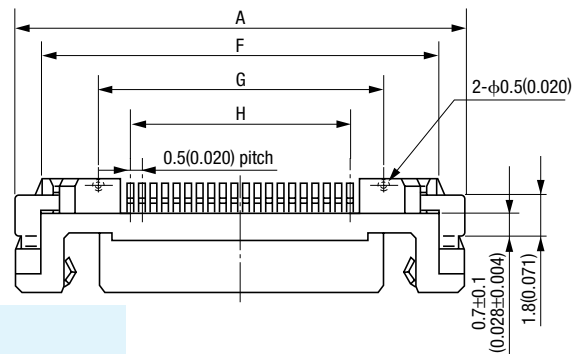
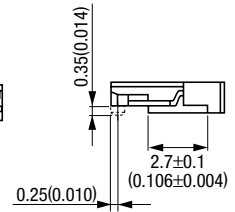
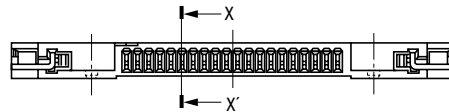
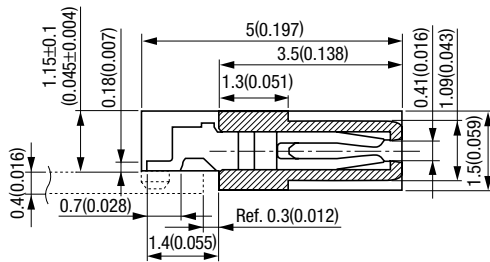
Receptacle (SMT Right Angle Type)



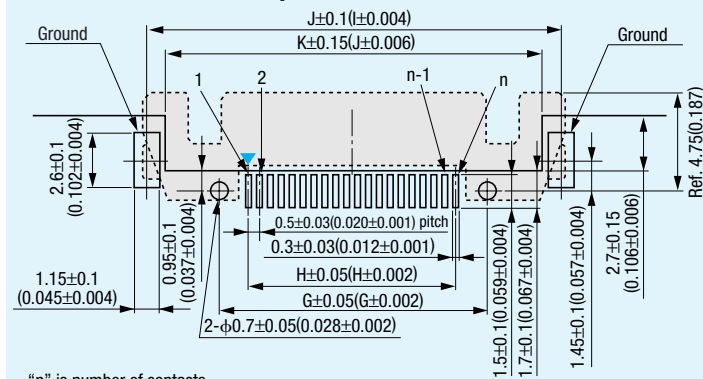
Unit:mm(inch)



X-X' Cross Section



Recommended Board Layout (Component Side View)



"n" is number of contacts.

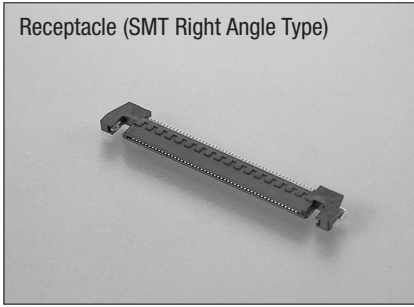
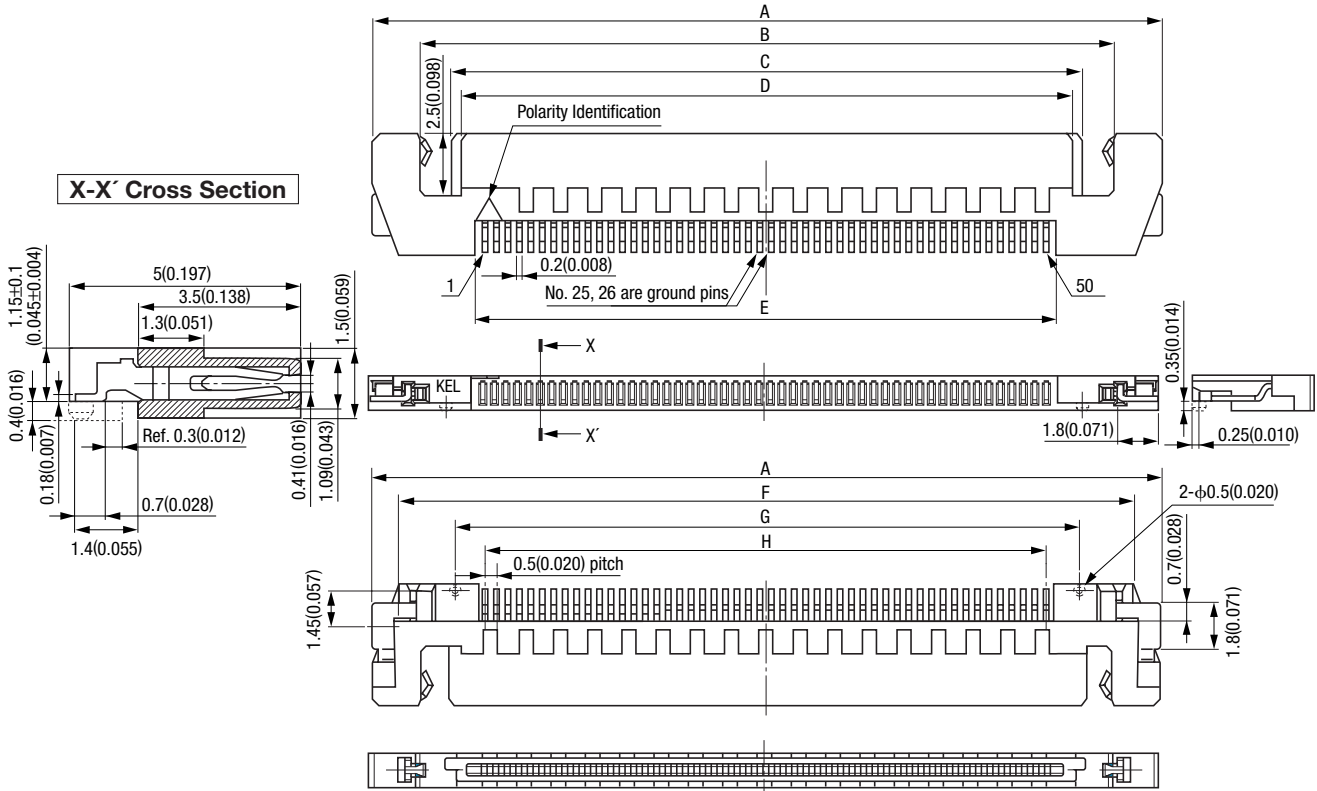
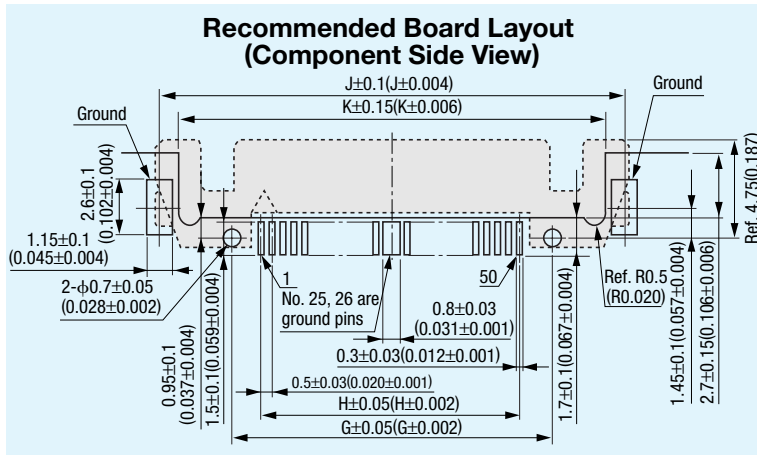
■ Product Table / Dimensions

No. of contacts	Part Number	A	B	C	D	E	F	G	H	J	K
20	SL0□-20L2□-F	19.50 (0.768)	15.50 (0.610)	12.50 (0.492)	11.50 (0.453)	10.50 (0.413)	17.40 (0.685)	12.70 (0.500)	9.50 (0.374)	19.35 (0.762)	17.80 (0.701)
26	SL0□-26L2□-F	22.50 (0.886)	18.50 (0.728)	15.50 (0.610)	14.50 (0.571)	13.50 (0.531)	20.40 (0.803)	15.70 (0.618)	12.50 (0.492)	22.35 (0.880)	20.80 (0.819)
30	SL0□-30L2□-F	24.50 (0.965)	20.50 (0.807)	17.50 (0.689)	16.50 (0.650)	15.50 (0.610)	22.40 (0.882)	17.70 (0.697)	14.50 (0.571)	24.35 (0.959)	22.80 (0.898)
40	SL0□-40L2□-F	29.50 (1.161)	25.50 (1.004)	22.50 (0.886)	21.50 (0.846)	20.50 (0.807)	27.40 (1.079)	22.70 (0.894)	19.50 (0.768)	29.35 (1.156)	27.80 (1.094)

SL□-48L2□-F (Receptacle for 0.4mm Offset or PCB thickness, Right angle, 48pin)

Receptacle (SMT Right Angle Type)

Unit:mm(inch)


X-X' Cross Section

Recommended Board Layout (Component Side View)

Product Table / Dimensions

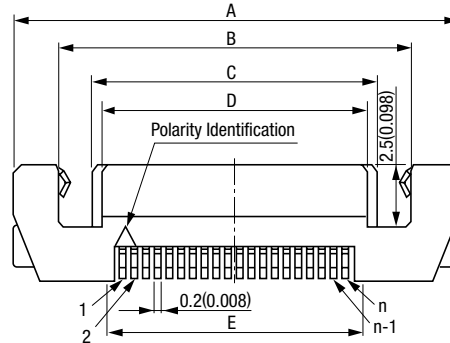
No. of contacts	Part Number	A	B	C	D	E	F	G	H	J	K
48	SL□-48L2□-F	34.50 (1.358)	30.50 (1.201)	27.90 (1.098)	26.90 (1.059)	25.50 (1.004)	32.40 (1.276)	27.70 (1.091)	24.50 (0.965)	34.35 (1.352)	32.80 (1.291)

SL0□-□□L3□-F (Receptacle for No Offset, Right angle)

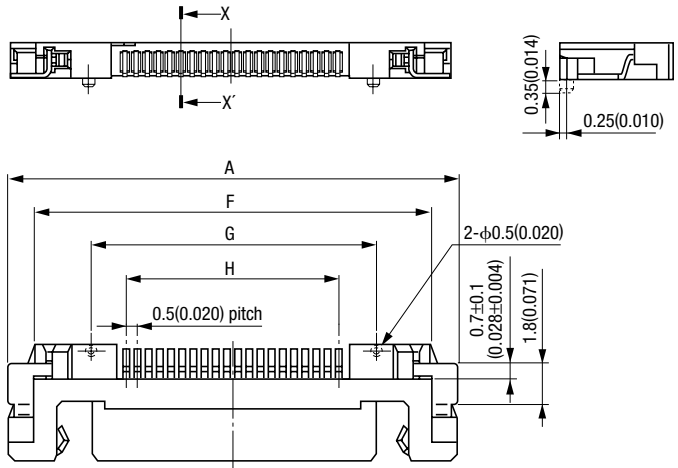
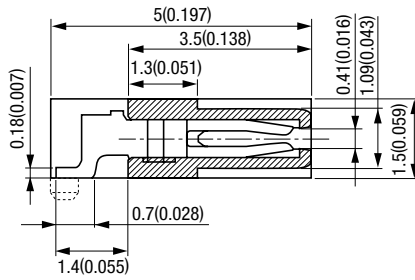
Receptacle (SMT Right Angle Type)



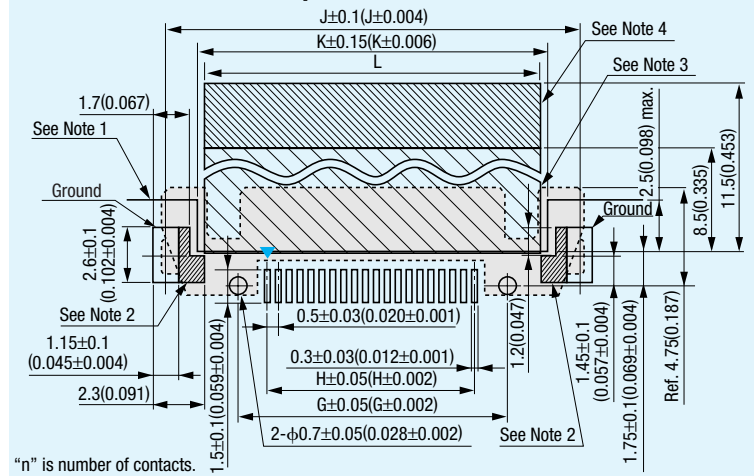
Unit:mm(inch)



X-X' Cross Section



Recommended Board Layout (Component Side View)



NOTES

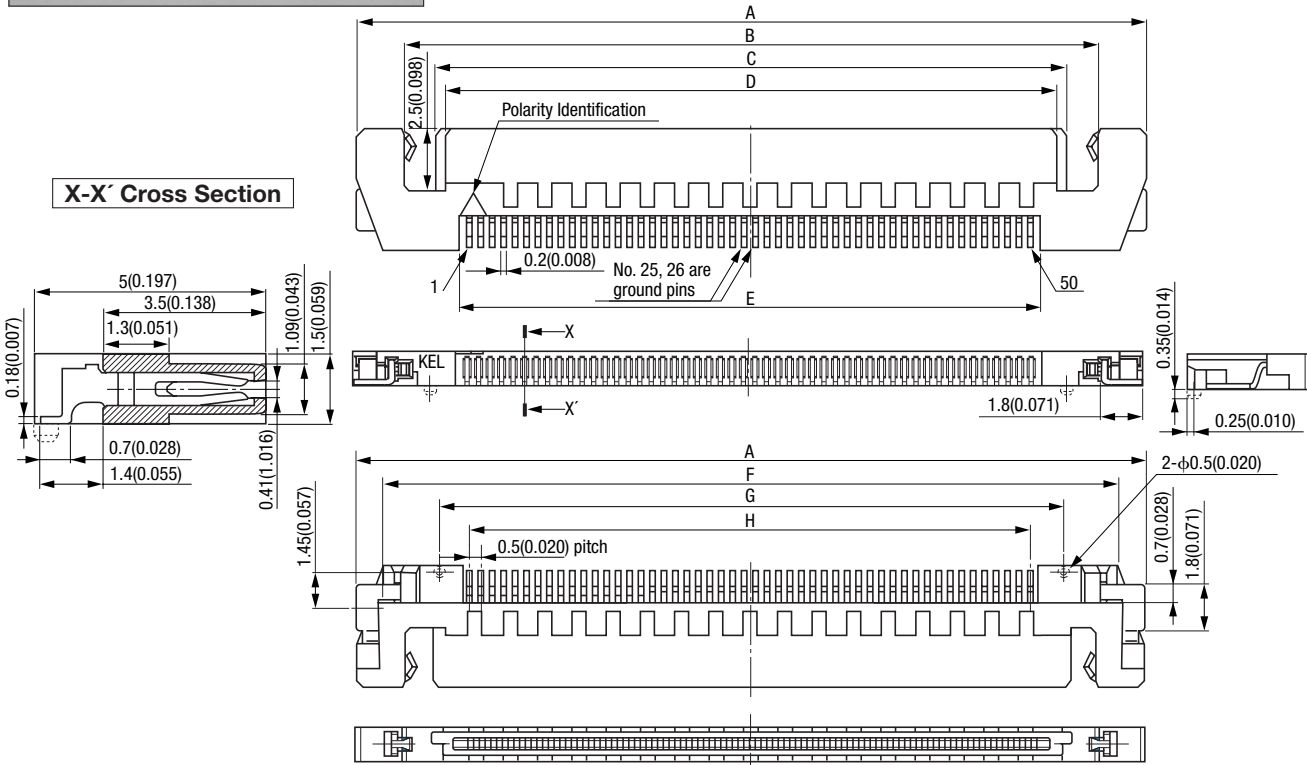
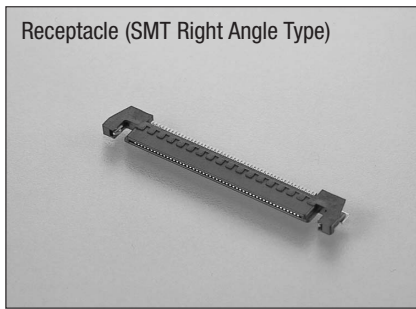
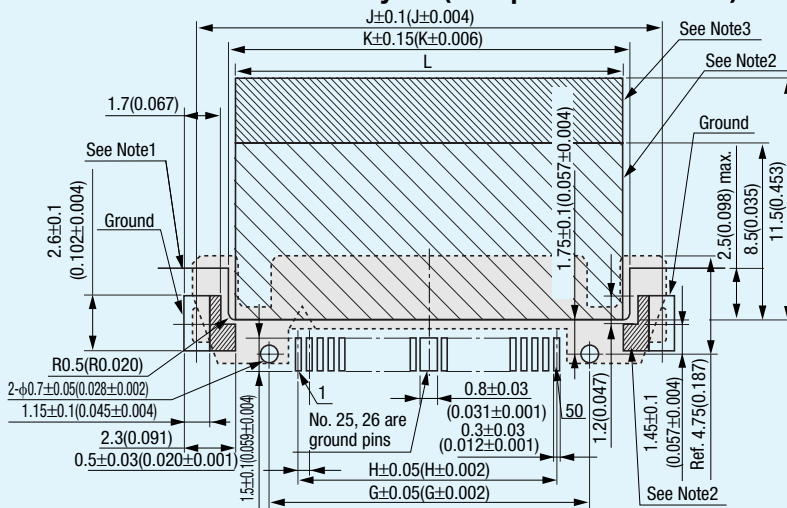
1. Pattern Prohibition Area (The Metal Retention clip is in contact with diagonal line area)
2. Pattern Prohibition Area, when mated with Straight Plug (SL20-XXS)(The Metal Shell of Plug is in contact with diagonal line area)
3. Pattern Warning Area, when mated with Straight Plug (SL20-XXS)(The Metal Shell of Plug is in contact with diagonal line area, during insertion and withdrawal.)
4. When mated with Right angle Plug (SL20-XXL), PCB must be cut away to allow mating.

■ Product Table / Dimensions

No. of contacts	Part Number	A	B	C	D	E	F	G	H	J	K	L
20	SL0□-20L3□-F	19.50 (0.768)	15.50 (0.610)	12.50 (0.492)	11.50 (0.453)	10.50 (0.413)	17.40 (0.685)	12.70 (0.500)	9.50 (0.374)	19.35 (0.762)	16.50 (0.650)	16.20 (0.638)
26	SL0□-26L3□-F	22.50 (0.886)	18.50 (0.728)	15.50 (0.610)	14.50 (0.571)	13.50 (0.531)	20.40 (0.803)	15.70 (0.618)	12.50 (0.492)	22.35 (0.880)	19.50 (0.768)	19.20 (0.756)
30	SL0□-30L3□-F	24.50 (0.965)	20.50 (0.807)	17.50 (0.689)	16.50 (0.650)	15.50 (0.610)	22.40 (0.882)	17.70 (0.697)	14.50 (0.571)	24.35 (0.959)	21.50 (0.846)	21.20 (0.835)
40	SL0□-40L3□-F	29.50 (1.161)	25.50 (1.004)	22.50 (0.886)	21.50 (0.846)	20.50 (0.807)	27.40 (1.079)	22.70 (0.894)	19.50 (0.768)	29.35 (1.156)	26.50 (1.043)	26.20 (1.031)

SL0□-48L3□-F (Receptacle for No Offset, Right angle, 48pin)

Unit:mm(inch)


Recommended Board Layout (Component Side View)

NOTES

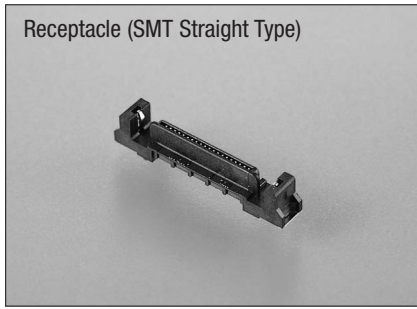
1. Pattern Prohibition Area (The Metal Retention clip is in contact with diagonal line area)
2. Pattern Prohibition Area, when mated with Straight Plug (SL20-48S)(The metal Shell of Plug is in contact with diagonal line area)
3. Pattern Warning Area, when mated with Straight Plug (SL20-48S)(The Metal Shell of Plug is in contact with diagonal line area, during insertion and withdrawal.)
4. When mated with Right angle Plug (SL20-48L), PCB must be cut away to allow mating.

Product Table / Dimensions

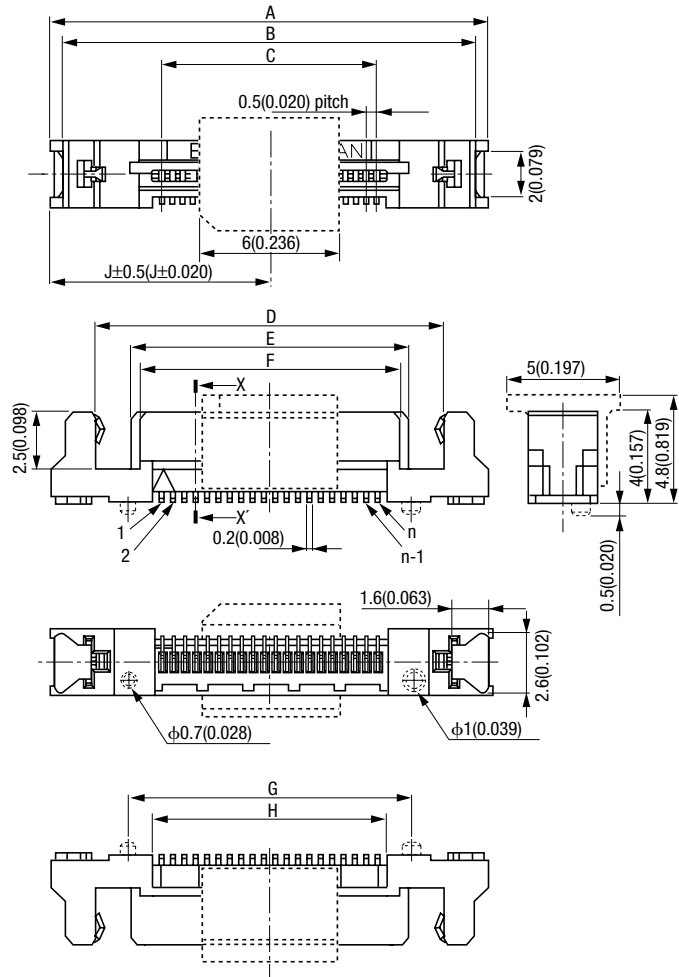
No. of contacts	Part Number	A	B	C	D	E	F	G	H	J	K	L
48	SL0□-48L3□-F	34.50 (1.358)	30.50 (1.201)	27.90 (1.098)	26.90 (1.059)	25.50 (1.004)	32.40 (1.276)	27.70 (1.091)	24.50 (0.965)	34.35 (1.352)	31.50 (1.240)	30.74 (1.210)

SL0□-□□S□-F (Receptacle, Straight)

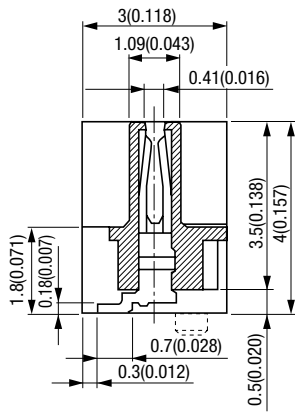
Unit:mm(inch)



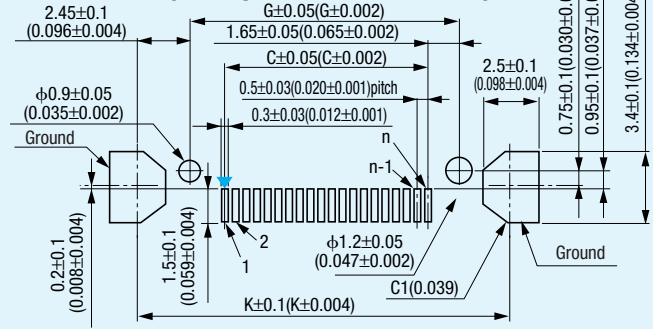
Receptacle (SMT Straight Type)



X-X' Cross Section



Recommended Board Layout (Component Side View)



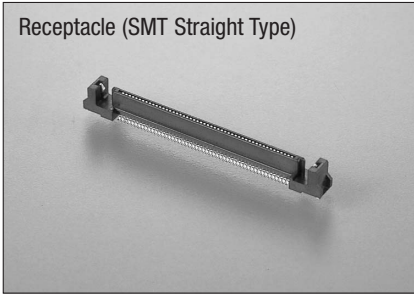
"n" is number of contacts.

Product Table / Dimensions

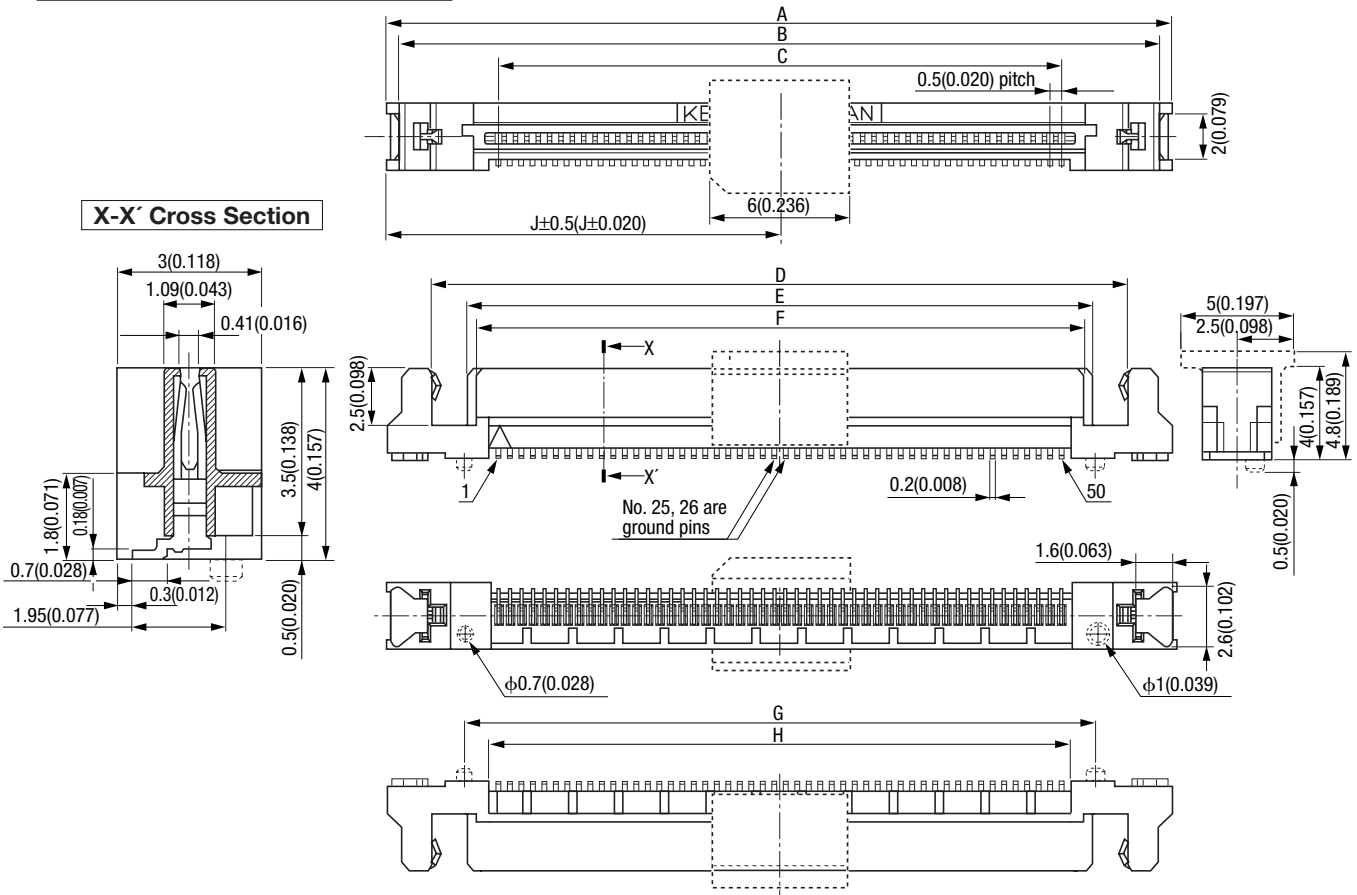
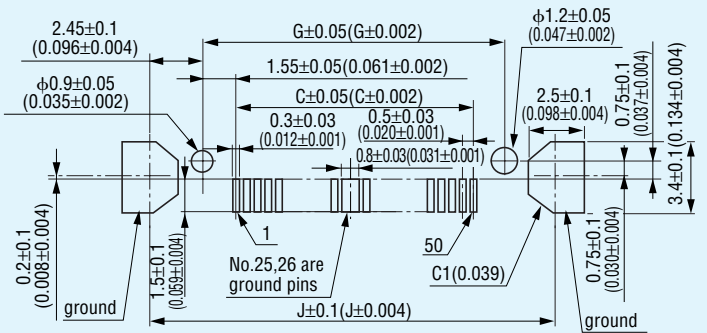
No. of contacts	Part Number	A	B	C	D	E	F	G	H	J	K
20	SL0□-20S□-F	19.50 (0.768)	18.10 (0.713)	9.50 (0.374)	15.50 (0.610)	12.50 (0.492)	11.50 (0.453)	12.70 (0.500)	10.50 (0.413)	9.75 (0.384)	17.60 (0.693)
26	SL0□-26S□-F	22.50 (0.886)	21.10 (0.831)	12.50 (0.492)	18.50 (0.728)	15.50 (0.610)	14.50 (0.571)	15.70 (0.618)	13.50 (0.531)	11.25 (0.443)	20.60 (0.811)
30	SL0□-30S□-F	24.50 (0.965)	23.10 (0.909)	14.50 (0.571)	20.50 (0.807)	17.50 (0.689)	16.50 (0.650)	17.70 (0.697)	15.50 (0.610)	12.25 (0.482)	22.60 (0.890)
40	SL0□-40S□-F	29.50 (1.161)	28.10 (1.106)	19.50 (0.768)	25.50 (1.004)	22.50 (0.886)	21.50 (0.846)	22.70 (0.894)	20.50 (0.807)	14.75 (0.581)	27.60 (1.087)

SL0□-48S□-F (Receptacle, Straight, 48pin)

Receptacle (SMT Straight Type)



Unit:mm(inch)

X-X' Cross Section

Recommended Board Layout (Component Side View)

Product Table / Dimensions

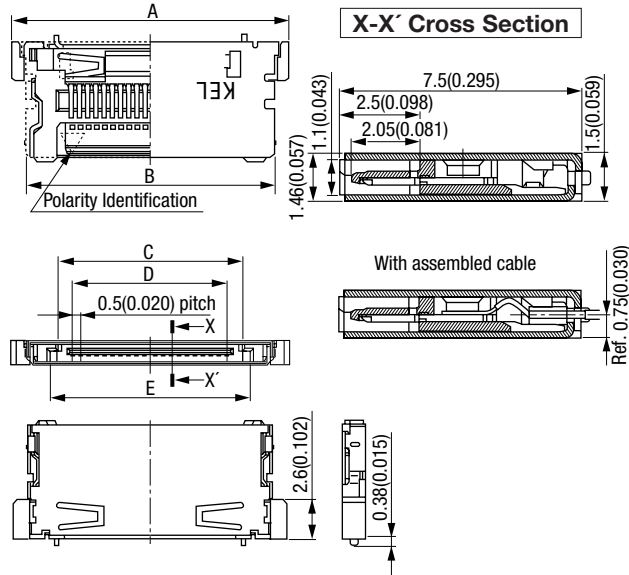
No. of contacts	Part Number	A	B	C	D	E	F	G	H	J	K
48	SL0□-48S□-F	34.50 (1.358)	33.10 (1.303)	24.50 (0.965)	30.50 (1.201)	27.90 (1.098)	26.90 (1.059)	27.70 (1.091)	25.50 (1.004)	17.25 (0.679)	32.60 (1.283)

0.5mm PITCH 2 PIECE CONNECTOR FOR MINIATURE COAXIAL CABLE

Plug connector is provided as part of a harness assembly. Please contact your local sales office for further information when ordering.

SL20-□□□ (Plug, With Cable Harness)

● SL20-□□□S

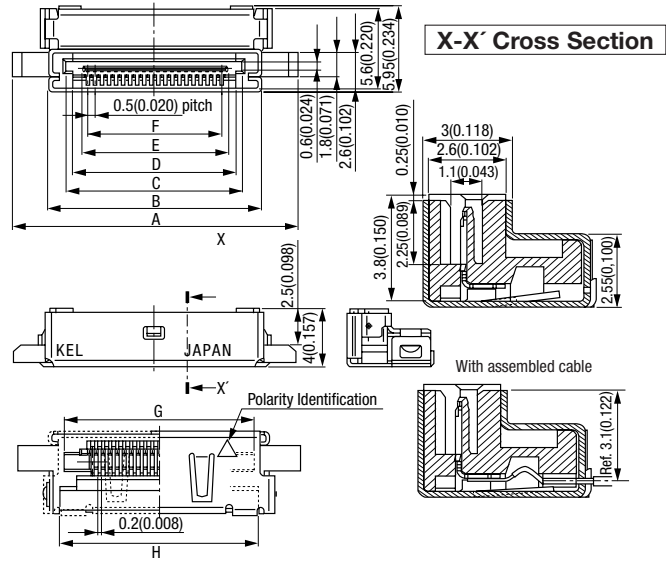


■ Product Table / Dimensions

No. of contacts	Part Number	A	B	C	D	E
20	SL20-20S	17.10 (0.673)	15.20 (0.598)	11.60 (0.457)	9.50 (0.374)	12.60 (0.496)
26	SL20-26S	20.10 (0.791)	18.20 (0.717)	14.60 (0.575)	12.50 (0.492)	15.60 (0.614)
30	SL20-30S	22.10 (0.870)	20.20 (0.795)	16.60 (0.654)	14.50 (0.571)	17.60 (0.693)
40	SL20-40S	27.10 (1.067)	25.20 (0.992)	21.60 (0.850)	19.50 (0.768)	22.60 (0.890)

Unit:mm(inch)

● SL20-□□□L

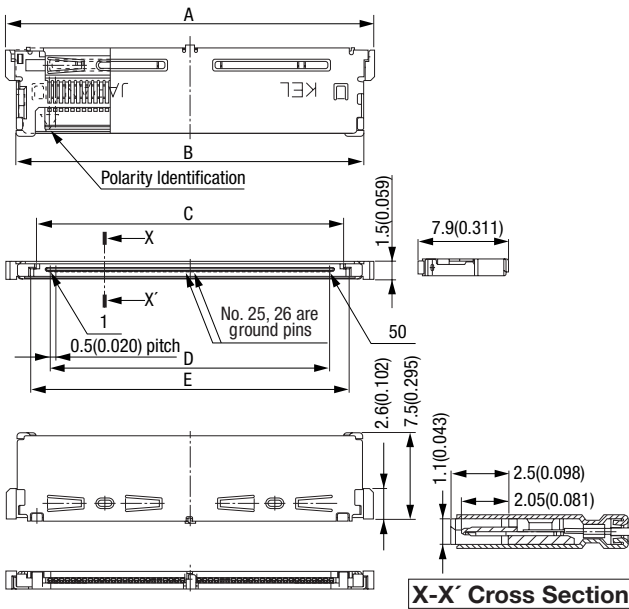


■ Product Table / Dimensions

No. of contacts	Part Number	A	B	C	D	E	F	G	H
20	SL20-20L	19.90 (0.783)	15.30 (0.602)	12.60 (0.496)	11.60 (0.457)	10.30 (0.406)	9.50 (0.374)	13.30 (0.524)	14.00 (0.551)
26	SL20-26L	22.90 (0.902)	18.30 (0.720)	15.60 (0.614)	14.60 (0.575)	13.30 (0.524)	12.50 (0.492)	16.30 (0.642)	17.00 (0.670)
30	SL20-30L	24.90 (0.980)	20.30 (0.799)	17.60 (0.693)	16.60 (0.654)	15.30 (0.602)	14.50 (0.571)	18.30 (0.720)	19.00 (0.748)
40	SL20-40L	29.90 (1.177)	25.30 (0.996)	22.60 (0.890)	21.60 (0.850)	20.30 (0.799)	19.50 (0.768)	23.30 (0.917)	24.00 (0.945)

SL20-48□ (Plug, With Cable Harness, 48pin)

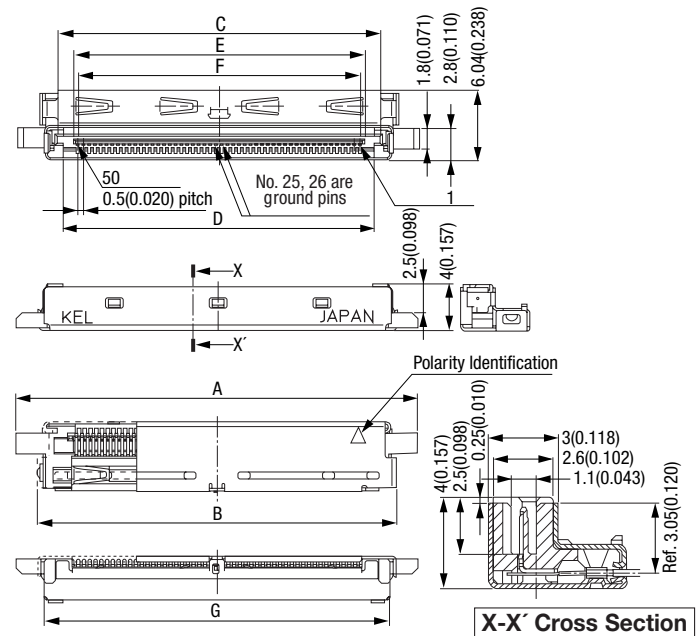
● SL20-48S



■ Product Table / Dimensions

No. of contacts	Part Number	A	B	C	D	E
48	SL20-48S	32.10 (1.264)	30.20 (1.189)	27.00 (1.063)	24.50 (0.965)	28.00 (1.102)

● SL20-48L

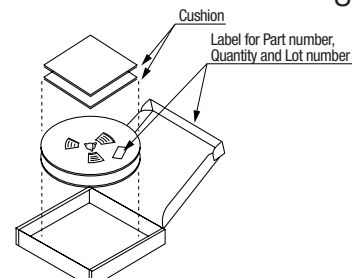
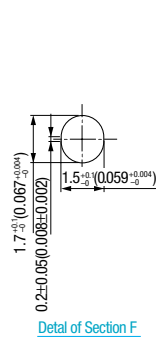
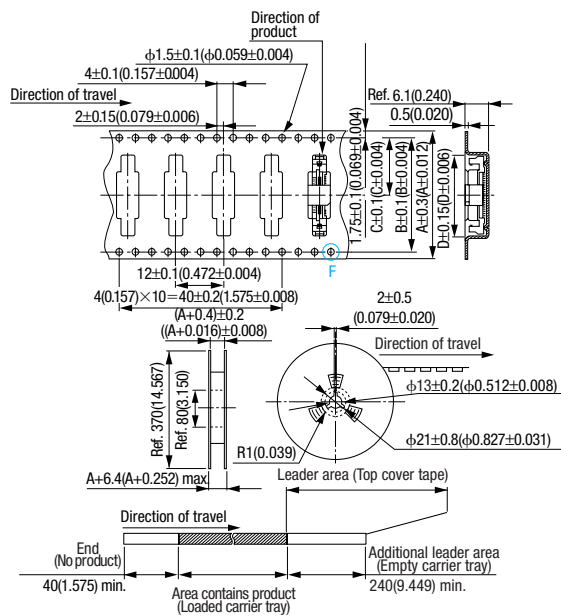


■ Product Table / Dimensions

No. of contacts	Part Number	A	B	C	D	E	F	G
48	SL20-48L	34.90 (1.374)	31.15 (1.226)	28.00 (1.102)	27.00 (1.063)	25.30 (0.996)	24.50 (0.965)	30.30 (1.193)

SL20-
Packaging Specification SL0□-□□S-F

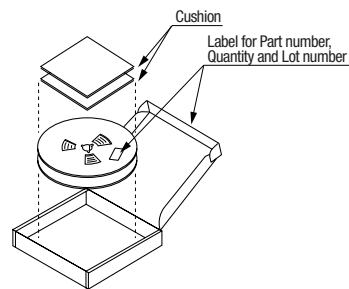
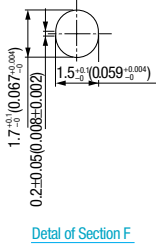
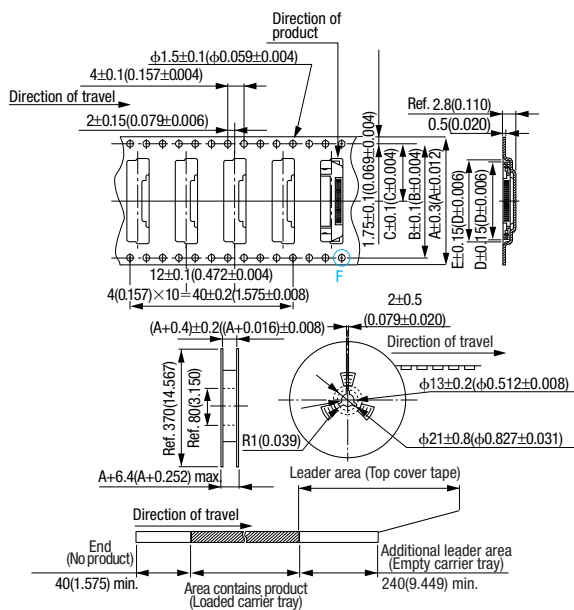
Unit:mm(inch)


Product Table / Dimensions

No. of contacts	Part Number	A	B	C	D
20	SL0□-20S-F	32.00 (1.260)	28.40 (1.118)	14.20 (0.559)	19.80 (0.780)
26	SL0□-26S-F	44.00 (1.732)	40.40 (1.591)	20.20 (0.795)	22.80 (0.898)
30	SL0□-30S-F	44.00 (1.732)	40.40 (1.591)	20.20 (0.795)	24.80 (0.976)
40	SL0□-40S-F	44.00 (1.732)	40.40 (1.591)	20.20 (0.795)	29.80 (1.173)
48	SL0□-48S-F	56.00 (2.205)	52.40 (2.063)	26.20 (1.031)	34.80 (1.370)

Packaging Specification SL0□-□□L□□-F

Unit:mm(inch)


Product Table / Dimensions

No. of contacts	Part Number	A	B	C	D	E
20	SL0□-20L□□-F	32.00 (1.260)	28.40 (1.118)	14.20 (0.559)	19.80 (0.780)	20.60 (0.811)
26	SL0□-26L□□-F	44.00 (1.732)	40.40 (1.591)	20.20 (0.795)	22.80 (0.898)	23.60 (0.929)
30	SL0□-30L□□-F	44.00 (1.732)	40.40 (1.591)	20.20 (0.795)	24.80 (0.976)	25.60 (1.008)
40	SL0□-40L□□-F	44.00 (1.732)	40.40 (1.591)	20.20 (0.795)	29.80 (1.173)	30.60 (1.205)
48	SL0□-48L□□-F	56.00 (2.205)	52.40 (2.063)	26.20 (1.031)	34.80 (1.370)	35.60 (1.402)

● ORDER CODE

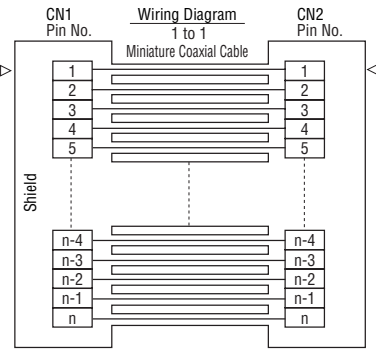
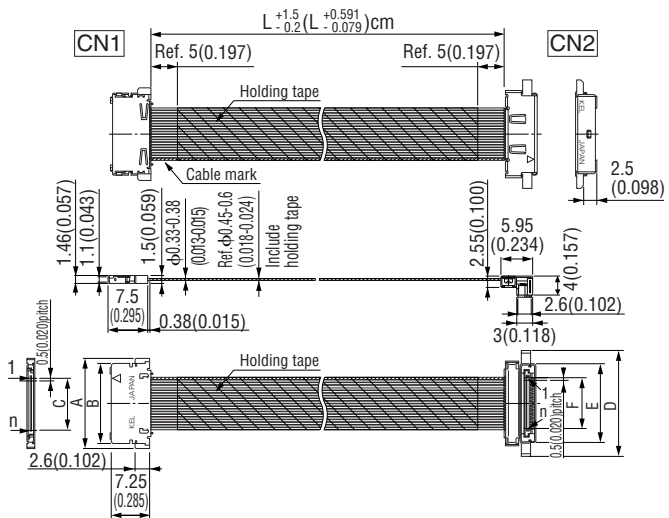
SL20-□□-SL-□□□-B□

- Holding tape
Omit : Without holding tape
H : With holding tape
- Assembly pattern
B : 1 to 1
- Cable length (cm), L dimension
(Example : 008=8cm)
- Contact tail style (Right connector)
L : Right angle
- Contact tail style (Left connector)
S : Straight
- No. of contacts
20 : 20 pin
26 : 26 pin
30 : 30 pin
40 : 40 pin
- Series name
SL20 : Plug

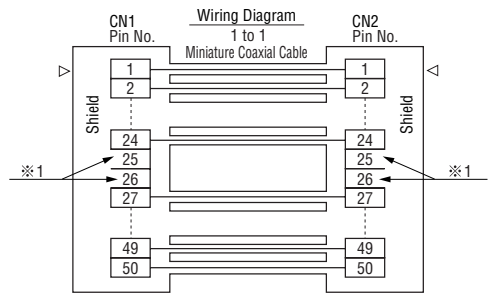
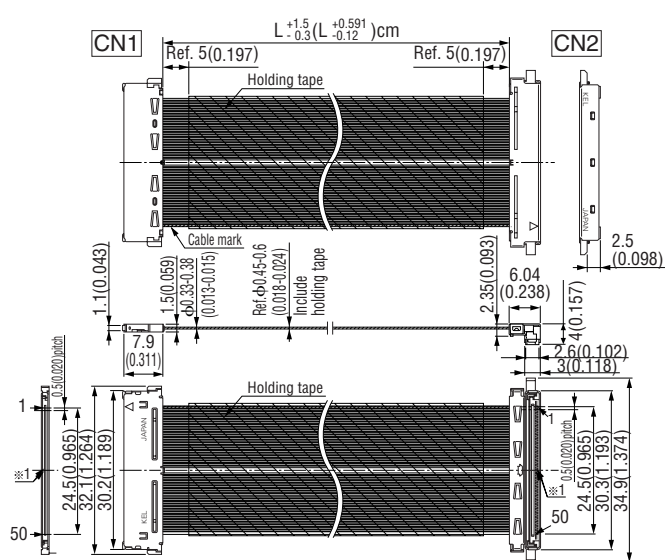
● ORDER CODE

SL20-48SL-□□□-B□

- Holding tape
Omit : Without holding tape
H : With holding tape
- Assembly pattern
B : 1 to 1
- Cable length (cm), L dimension
(Example : 008=8cm)
- Contact tail style (Right connector)
L : Right angle
- Contact tail style (Left connector)
S : Straight
- No. of contacts
48 : 48 pin
- Series name
SL20 : Plug



★ "n" is number of contacts.
▽ = Polarity identification



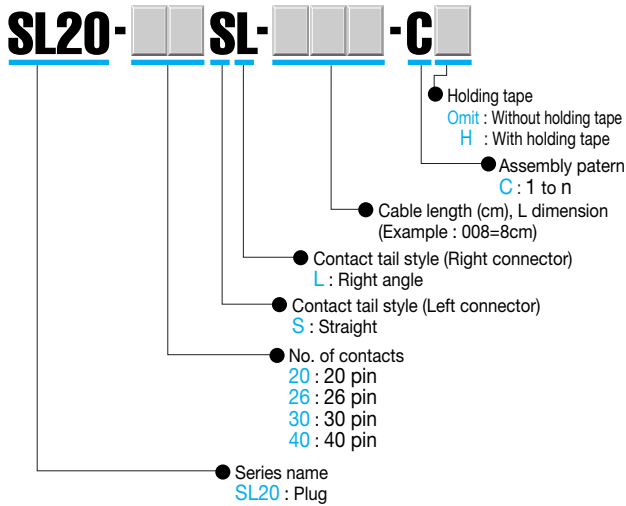
※ 1 : Pin No. 25 & 26 are connected to the top shell with it's built in finger contact during mounted. (Common Grounding Feature)

■ Product Table / Dimensions

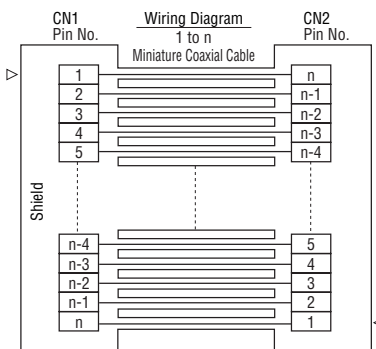
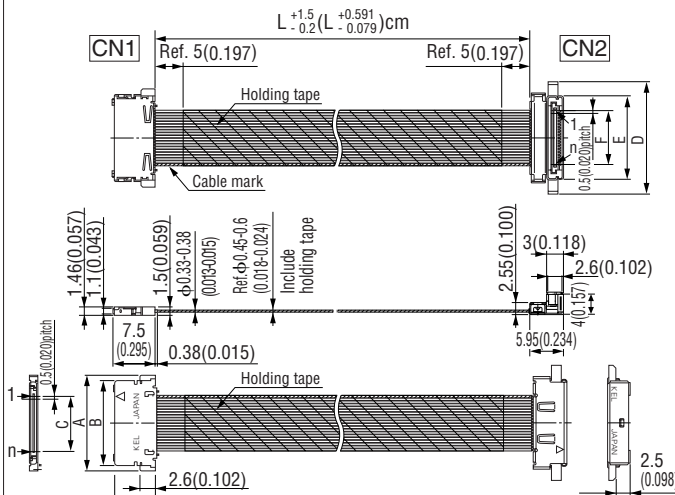
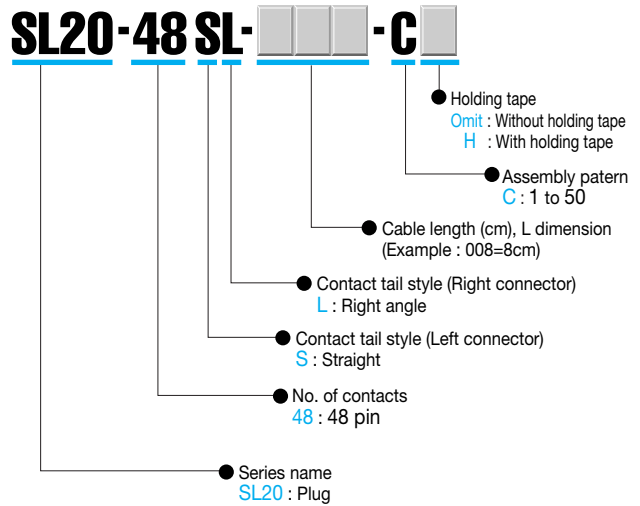
No. of contacts	Part Number	A	B	C	D	E	F
20	SL20-20SL-□□□-B□	17.10 (0.673)	15.20 (0.598)	9.50 (0.374)	19.90 (0.783)	15.30 (0.602)	9.50 (0.374)
26	SL20-26SL-□□□-B□	20.10 (0.791)	18.20 (0.717)	12.50 (0.492)	22.90 (0.902)	18.30 (0.720)	12.50 (0.492)
30	SL20-30SL-□□□-B□	22.10 (0.870)	20.20 (0.795)	14.50 (0.571)	24.90 (0.980)	20.30 (0.799)	14.50 (0.571)
40	SL20-40SL-□□□-B□	27.10 (1.067)	25.20 (0.992)	19.50 (0.768)	29.90 (1.177)	25.30 (0.996)	19.50 (0.768)



ORDER CODE



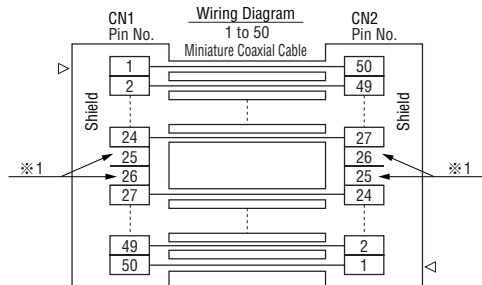
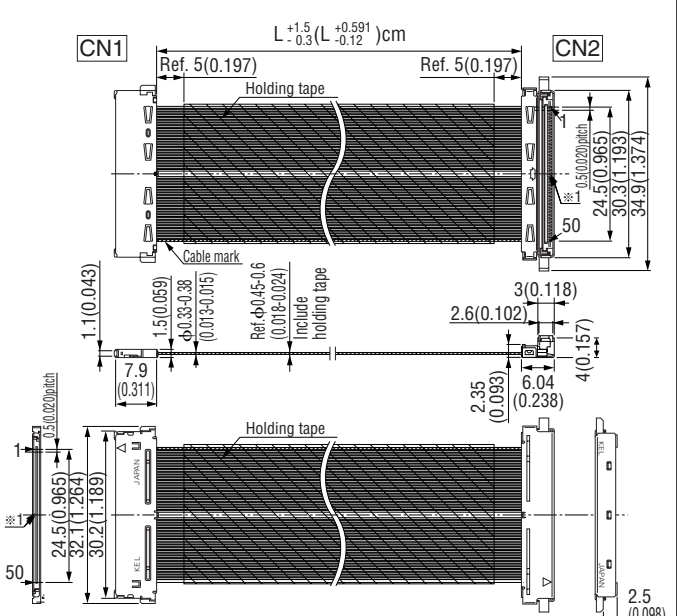
ORDER CODE



★ "n" is number of contacts.
▽ = Polarity identification

Product Table / Dimensions

No. of contacts	Part Number	A	B	C	D	E	F
20	SL20-20SL-□□-C□	17.10 (0.673)	15.20 (0.598)	9.50 (0.374)	19.90 (0.783)	15.30 (0.602)	9.50 (0.374)
26	SL20-26SL-□□-C□	20.10 (0.791)	18.20 (0.717)	12.50 (0.492)	22.90 (0.902)	18.30 (0.720)	12.50 (0.492)
30	SL20-30SL-□□-C□	22.10 (0.870)	20.20 (0.795)	14.50 (0.571)	24.90 (0.980)	20.30 (0.799)	14.50 (0.571)
40	SL20-40SL-□□-C□	27.10 (1.067)	25.20 (0.992)	19.50 (0.768)	29.90 (1.177)	25.30 (0.996)	19.50 (0.768)

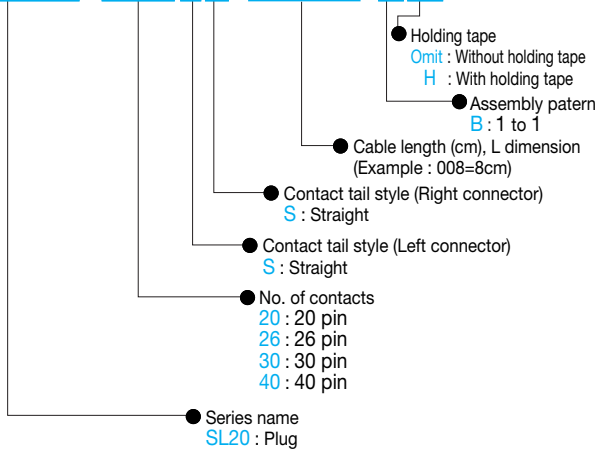


※ 1 : Pin No. 25 & 26 are connected to the top shell with it's built in finger contact during mounted. (Common Grounding Feature)



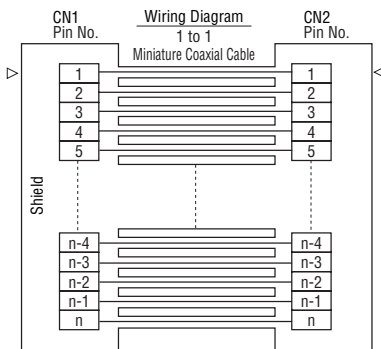
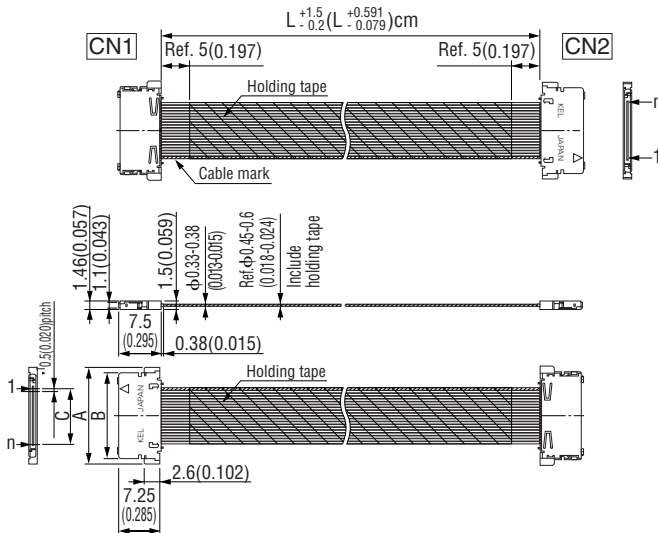
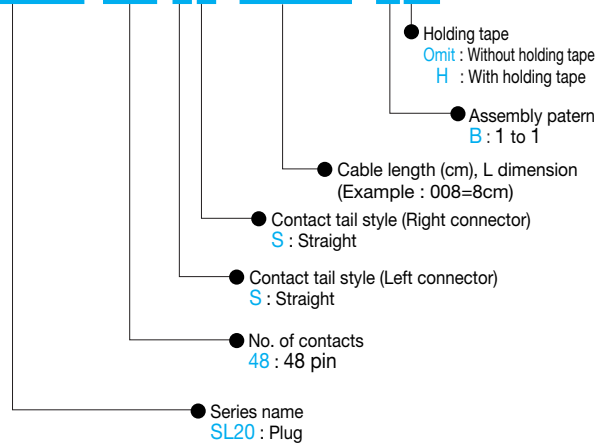
● ORDER CODE

SL20- SS- -B



● ORDER CODE

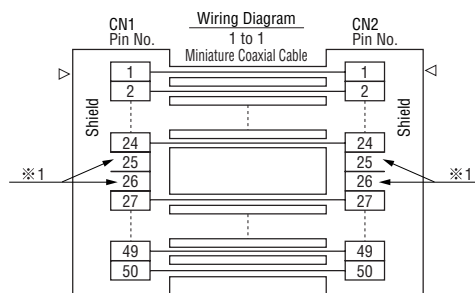
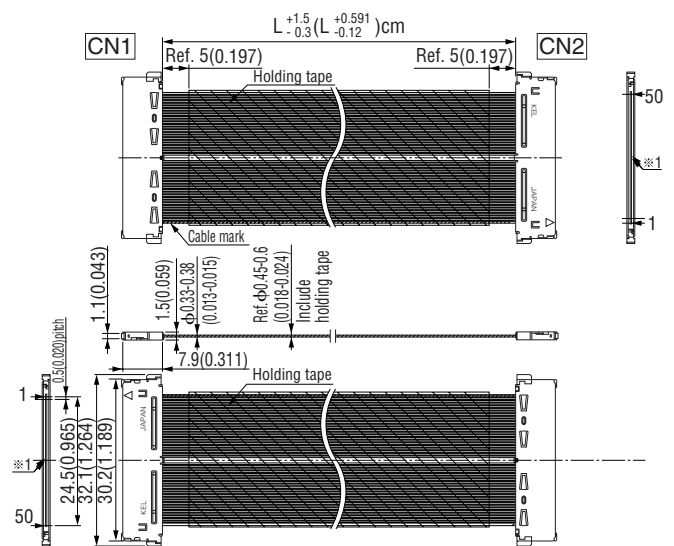
SL20-48SS- -B



★ "n" is number of contacts.
▽ = Polarity identification

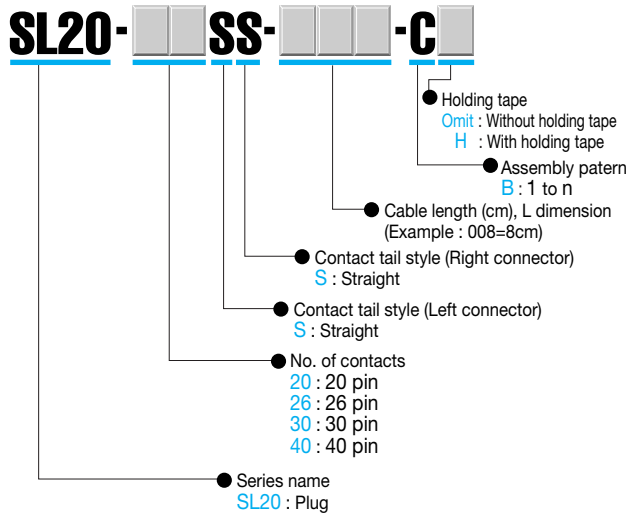
■ Product Table / Dimensions

No. of contacts	Part Number	A	B	C
20	SL20-20SS- -B	17.10 (0.673)	15.20 (0.598)	9.50 (0.374)
26	SL20-26SS- -B	20.10 (0.791)	18.20 (0.717)	12.50 (0.492)
30	SL20-30SS- -B	22.10 (0.870)	20.20 (0.795)	14.50 (0.571)
40	SL20-40SS- -B	27.10 (1.067)	25.20 (0.992)	19.50 (0.768)

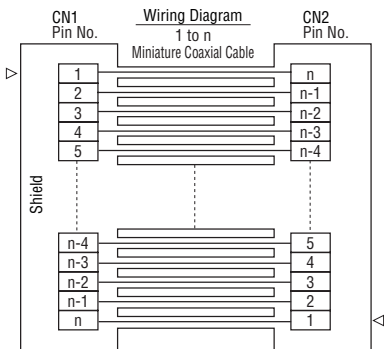
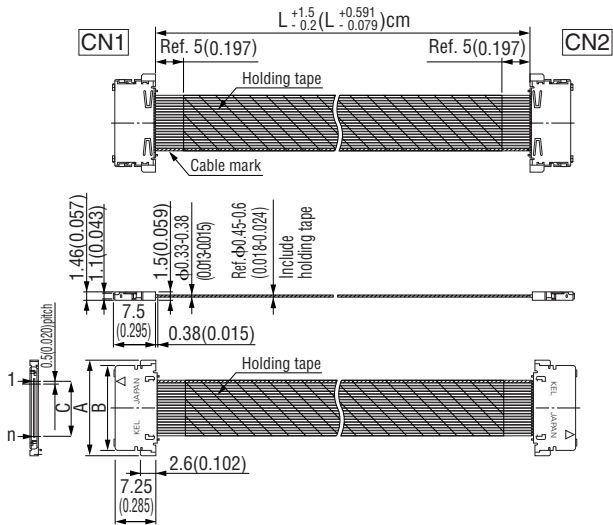
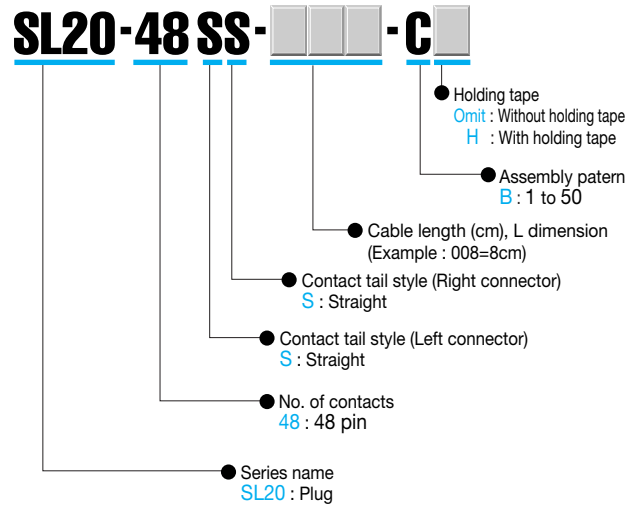


※ 1 : Pin No. 25 & 26 are connected to the top shell with it's built in finger contact during mounted. (Common Grounding Feature)

ORDER CODE



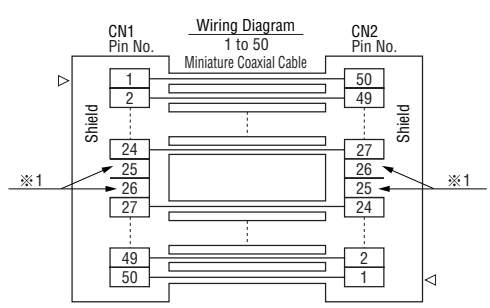
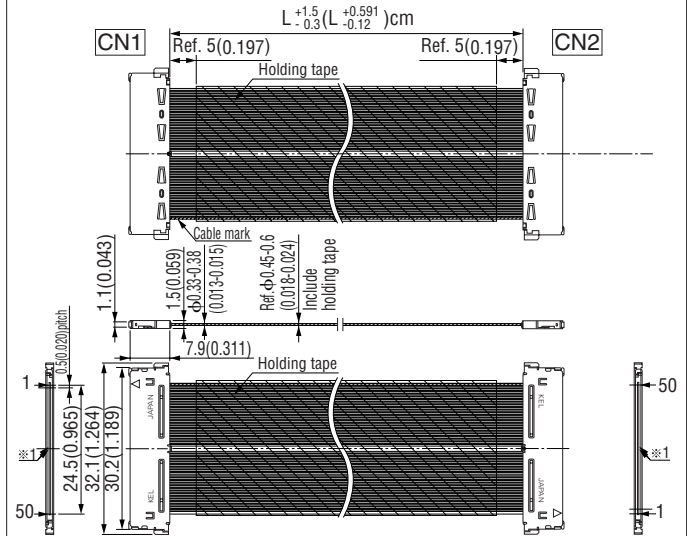
ORDER CODE



★ "n" is number of contacts.
▽ = Polarity identification

Product Table / Dimensions

No. of contacts	Part Number	A	B	C
20	SL20-20SS-□□□-C□	17.10 (0.673)	15.20 (0.598)	9.50 (0.374)
26	SL20-26SS-□□□-C□	20.10 (0.791)	18.20 (0.717)	12.50 (0.492)
30	SL20-30SS-□□□-C□	22.10 (0.870)	20.20 (0.795)	14.50 (0.571)
40	SL20-40SS-□□□-C□	27.10 (1.067)	25.20 (0.992)	19.50 (0.768)



※ 1 : Pin No. 25 & 26 are connected to the top shell with it's built in finger contact during mounted. (Common Grounding Feature)



Please contact your local sales office when ordering lead free products.

● ORDER CODE

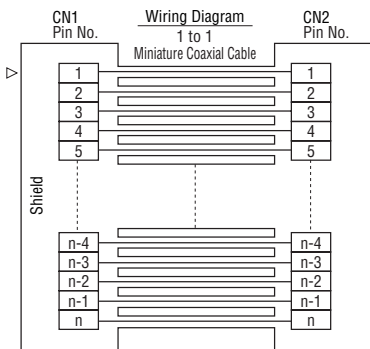
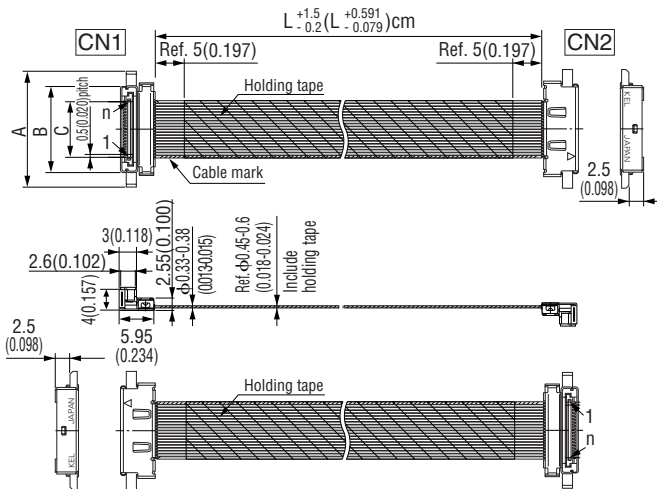
SL20- [] LL- [] -B []

- Holding tape
Omit : Without holding tape
H : With holding tape
- Assembly patern
B : 1 to 1
- Cable length (cm), L dimension
(Example : 008=8cm)
- Contact tail style (Right connector)
L : Right angle
- Contact tail style (Left connector)
L : Right angle
- No. of contacts
20 : 20 pin
26 : 26 pin
30 : 30 pin
40 : 40 pin
- Series name
SL20 : Plug

● ORDER CODE

SL20-48 LL- [] -B []

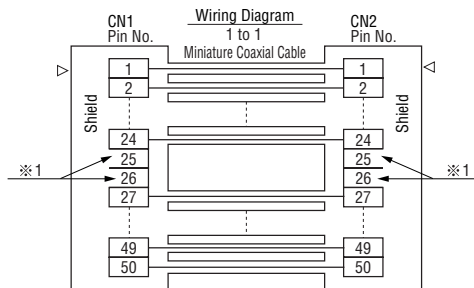
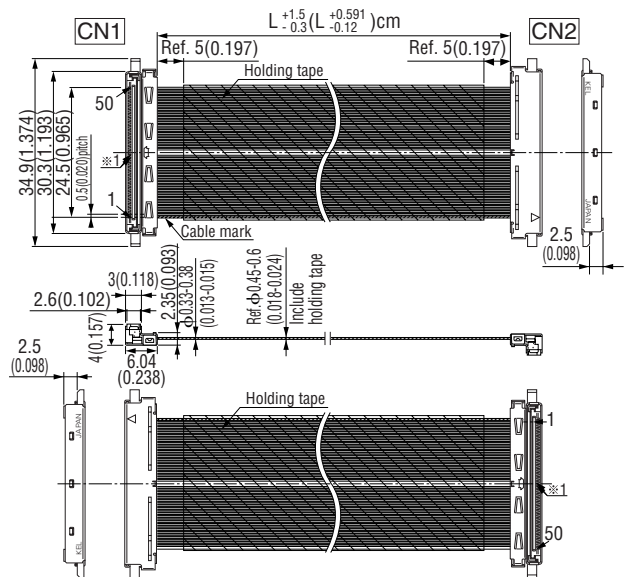
- Holding tape
Omit : Without holding tape
H : With holding tape
- Assembly patern
B : 1 to 1
- Cable length (cm), L dimension
(Example : 008=8cm)
- Contact tail style (Right connector)
L : Right angle
- Contact tail style (Left connector)
L : Right angle
- No. of contacts
48 : 48 pin
- Series name
SL20 : Plug



★ "n" is number of contacts.
▽ = Polarity identification

■ Product Table / Dimensions

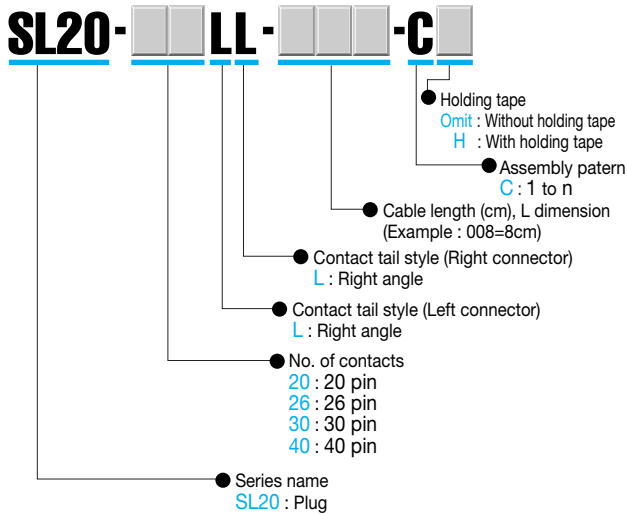
No. of contacts	Part Number	A	B	C
20	SL20-20LL-[]-[]-B []	19.90 (0.783)	15.30 (0.602)	9.50 (0.374)
26	SL20-26LL-[]-[]-B []	22.90 (0.902)	18.30 (0.720)	12.50 (0.492)
30	SL20-30LL-[]-[]-B []	24.90 (0.980)	20.30 (0.799)	14.50 (0.571)
40	SL20-40LL-[]-[]-B []	29.90 (1.177)	25.30 (0.996)	19.50 (0.768)



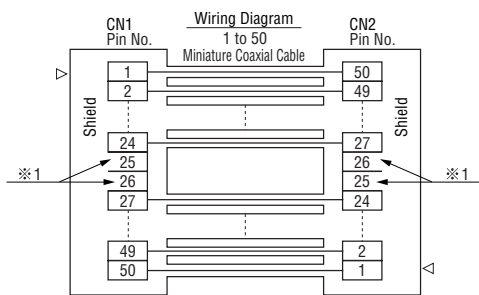
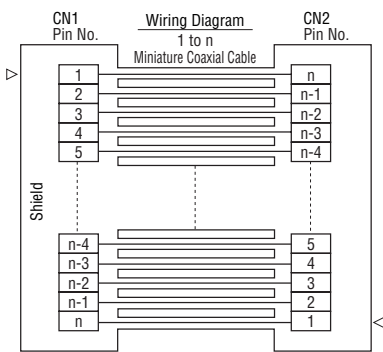
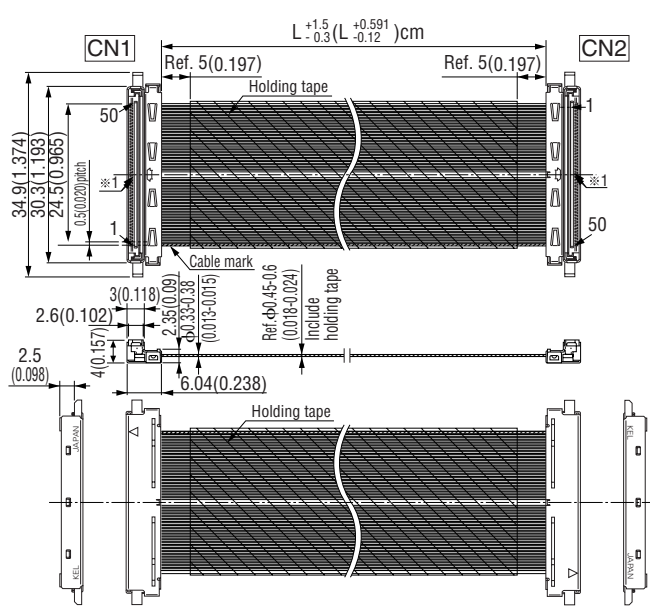
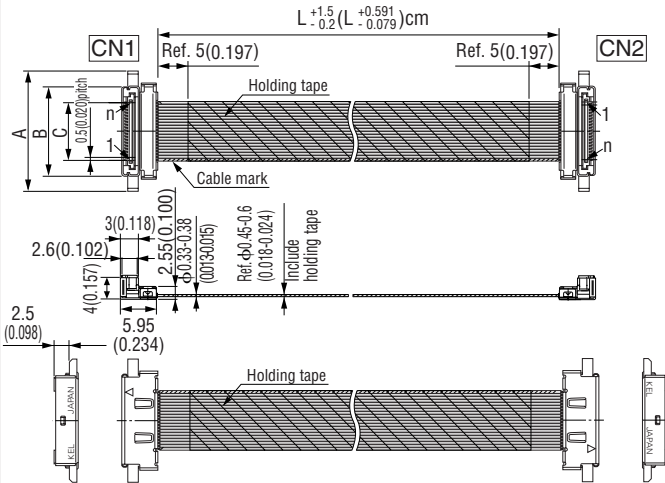
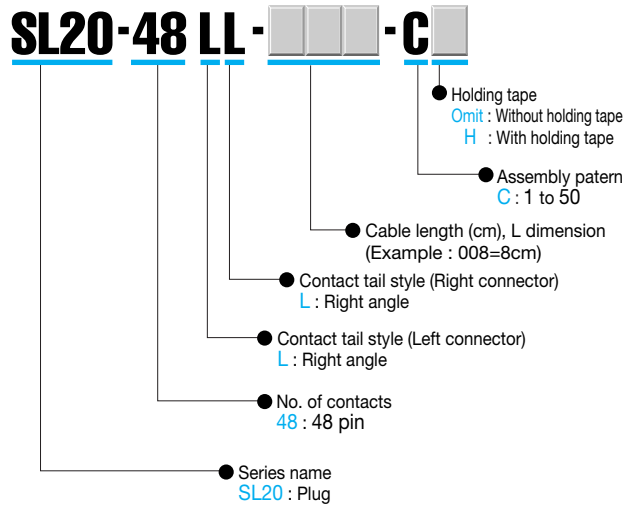
※ 1 : Pin No. 25 & 26 are connected to the top shell with it's built in finger contact during mounted. (Common Grounding Feature)

admatec

ORDER CODE



ORDER CODE



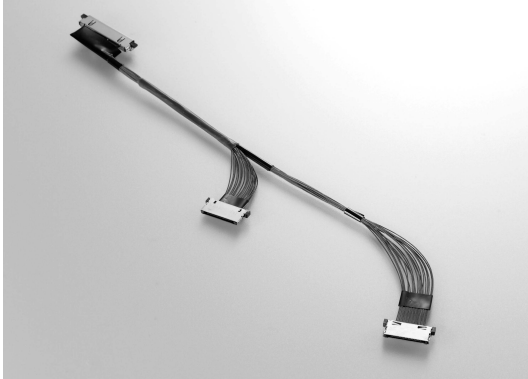
Product Table / Dimensions

No. of contacts	Part Number	A	B	C
20	SL20-20LL-□□□-C□	19.90 (0.783)	15.30 (0.602)	9.50 (0.374)
26	SL20-26LL-□□□-C□	22.90 (0.902)	18.30 (0.720)	12.50 (0.492)
30	SL20-30LL-□□□-C□	24.90 (0.980)	20.30 (0.799)	14.50 (0.571)
40	SL20-40LL-□□□-C□	29.90 (1.177)	25.30 (0.996)	19.50 (0.768)

※ 1 : Pin No. 25 & 26 are connected to the top shell with it's built in finger contact during mounted. (Common Grounding Feature)



Custom Harness (Example)



[Custom harness (Example ①)-Overview]

Miniature coaxial cables have a 40pin connector at one end and have the other end split into two sections with 20pin connectors. The 40pin connector connects to the main board of a notebook PC, while each 20pin connector interfaces to a functional unit, such as an LCD panel. As in this example, pin assignments and destinations can be flexible upon specification. The twisted and/or bent section of the cables can also be banded by Teflon tape and sent through a narrow hinge. This cable harness is the best choice in a compact notebook PC.



[Custom harness (Example ②)-Overview]

Miniature coaxial cables are banded by shield meshes to increase EMI characteristics. Also, harness is able to add a discrete wire such as power line or allow a composite combination.



[Custom harness (Example ③)-Overview]

Miniature coaxial cables are covered by a braided sleeve to protect from damage. Both ends of cables near connector termination are wrapped by PET tape to keep cables flat. This taping process protects weakest points in harness from excessive bending.

If custom harnesses are desired, please contact your local sales office.
Specifications and dimensions are subject to change without notice.



Schareggstrasse 3, CH-5506 Mägenwil
Tel. +41 62 896 00 48, Fax. +41 62 896 25 80
info@admatec.ch, www.admatec.ch