

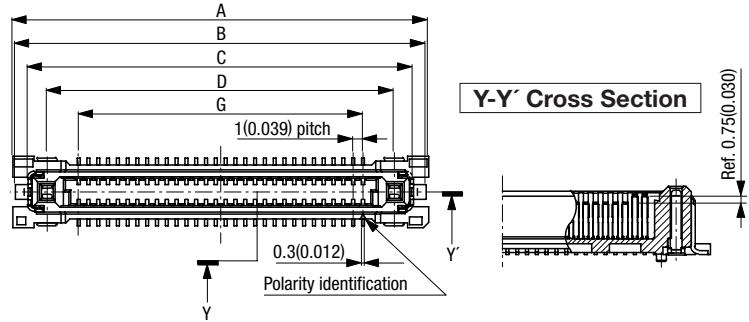
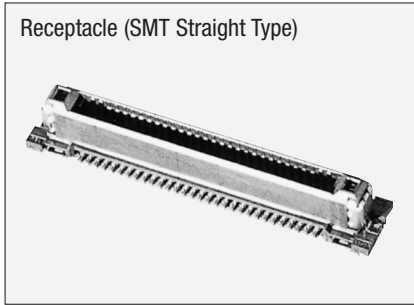


**DJ03-□□□S-F (Receptacle, With power contacts)**

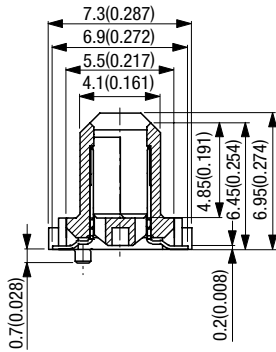
Mating Connectors : DJ13/33-□□□L-F or DJ13/33-□□□FL-□-F

Unit:mm(inch)

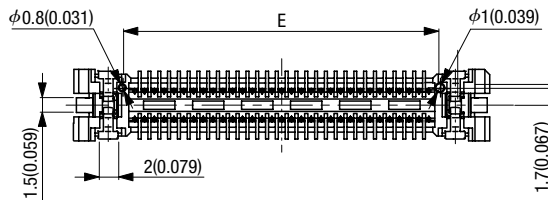
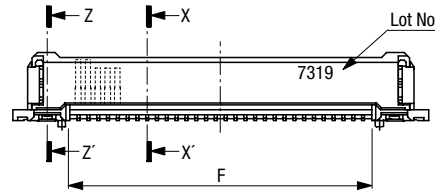
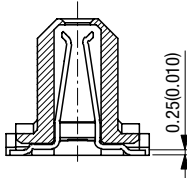
Receptacle (SMT Straight Type)



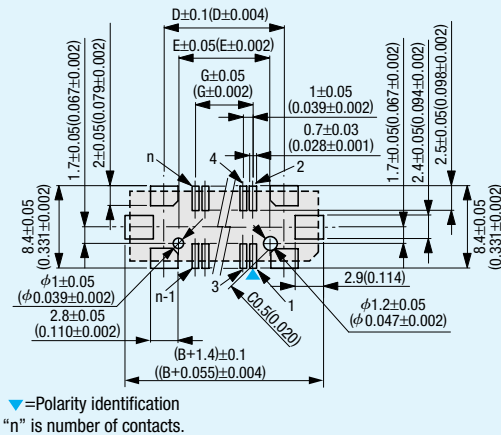
X-X' Cross Section



Z-Z' Cross Section



**Printed Circuit Board Layout (Component Side View)**



■ Product Table / Dimensions

No. of contacts	Part Number	A	B	C	D	E	F	G
40	DJ03-040S-F	32.4 (1.276)	32.0 (1.260)	29.4 (1.157)	25.4 (1.000)	22.4 (0.882)	20.8 (0.819)	19.0 (0.748)
50	DJ03-050S-F	37.4 (1.472)	37.0 (1.457)	34.4 (1.354)	30.4 (1.197)	27.4 (1.079)	25.8 (1.016)	24.0 (0.945)
60	DJ03-060S-F	42.4 (1.669)	42.0 (1.654)	39.4 (1.551)	35.4 (1.394)	32.4 (1.276)	30.8 (1.213)	29.0 (1.142)
80	DJ03-080S-F	52.4 (2.063)	52.0 (2.047)	49.4 (1.945)	45.4 (1.787)	42.4 (1.669)	40.8 (1.606)	39.0 (1.535)

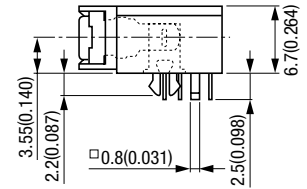
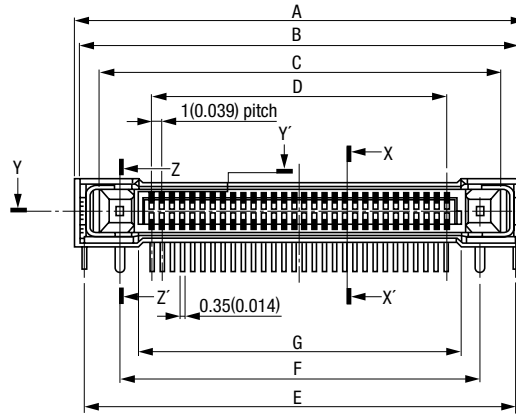
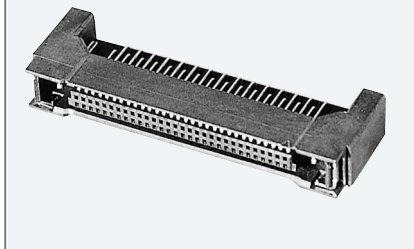


### DJ13-□□□L-F (Plug, With power contacts)

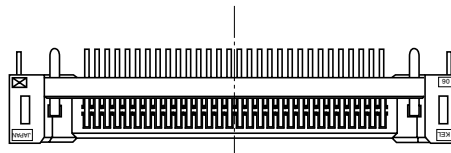
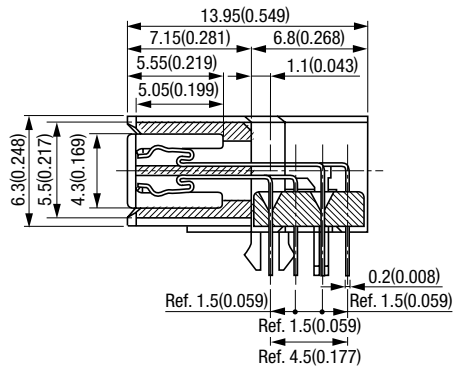
Mating Connector : DJ03-□□□S-F

Unit:mm(inch)

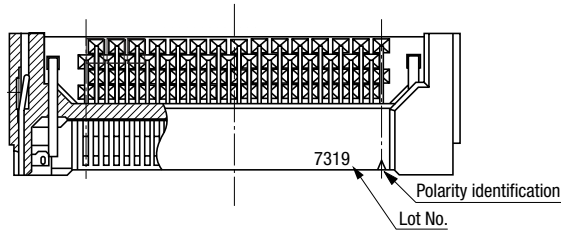
Plug (Right Angle Type)



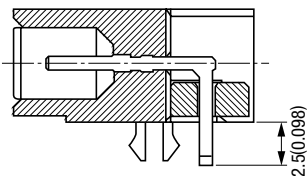
X-X' Cross Section



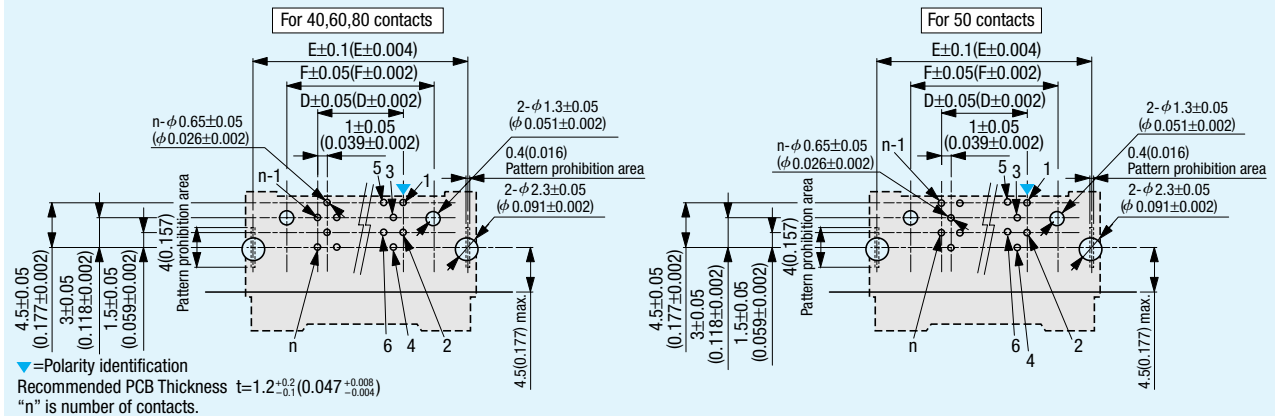
Y-Y' Cross Section



Z-Z' Cross Section



### Printed Circuit Board Layout (Component Side View)



### Product Table / Dimensions

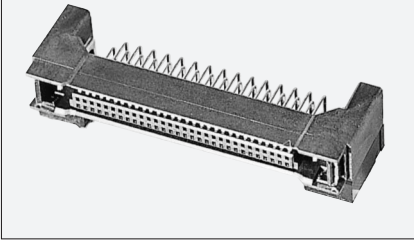
No. of contacts	Part Number	A	B	C	D	E	F	G
40	DJ13-040L-F	34.3 (1.350)	33.2 (1.307)	29.8 (1.173)	19.0 (0.748)	32.36 (1.274)	25.4 (1.000)	21.8 (0.858)
50	DJ13-050L-F	39.3 (1.547)	38.2 (1.504)	34.8 (1.370)	24.0 (0.945)	37.36 (1.471)	30.4 (1.197)	26.8 (1.055)
60	DJ13-060L-F	44.3 (1.744)	43.2 (1.701)	39.8 (1.567)	29.0 (1.142)	42.36 (1.668)	35.4 (1.394)	31.8 (1.252)
80	DJ13-080L-F	54.3 (2.138)	53.2 (2.094)	49.8 (1.961)	39.0 (1.535)	52.36 (2.061)	45.4 (1.787)	41.8 (1.646)

**DJ13-□□□FL-□-F (Plug, With power contacts)**

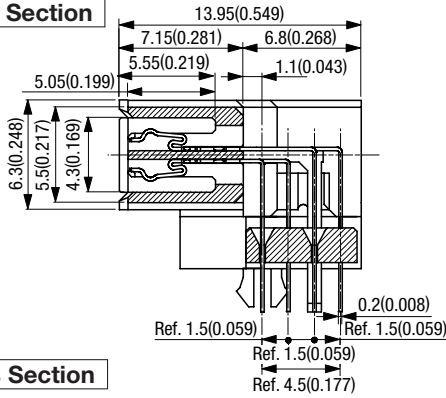
Mating Connector : DJ03-□□□S-F

Unit:mm(inch)

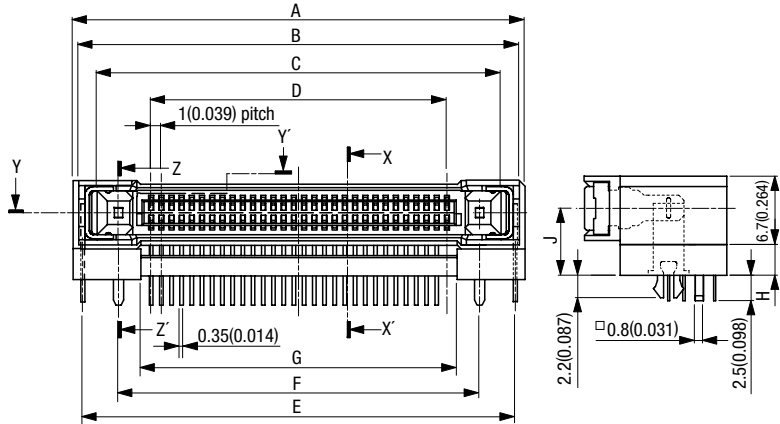
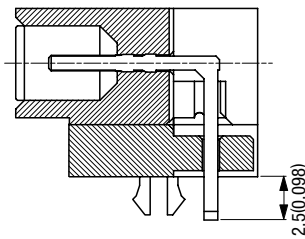
Plug (Selective Right Angle Type)



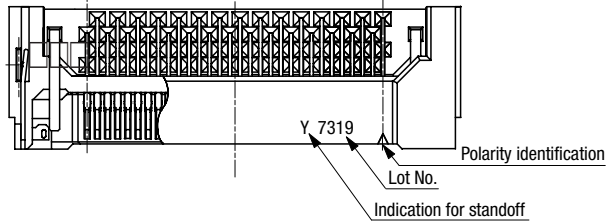
**X-X' Cross Section**



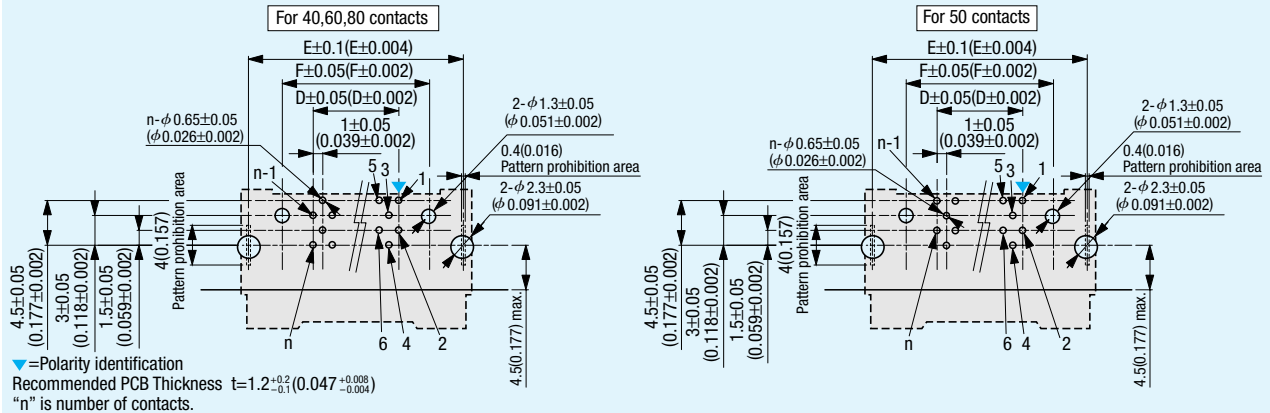
**Z-Z' Cross Section**



**Y-Y' Cross Section**



**Printed Circuit Board Layout (Component Side View)**



■Product Table / Connector Height

Part Number	Connector Height	H	J
DJ13-□□□FL-T-F	7.7 (0.303)	1.0 (0.039)	4.55 (0.179)
DJ13-□□□FL-V-F	8.7 (0.343)	2.0 (0.079)	5.55 (0.219)
DJ13-□□□FL-Y-F	9.7 (0.382)	3.0 (0.118)	6.55 (0.258)
DJ13-□□□FL-Z-F	10.7 (0.421)	4.0 (0.157)	7.55 (0.297)

■Product Table / Dimensions

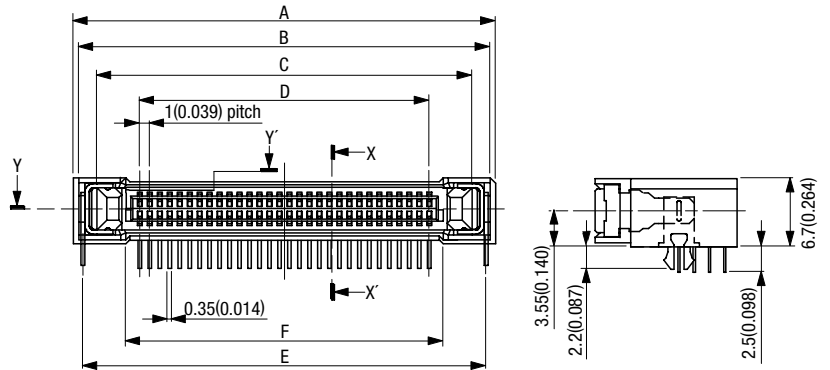
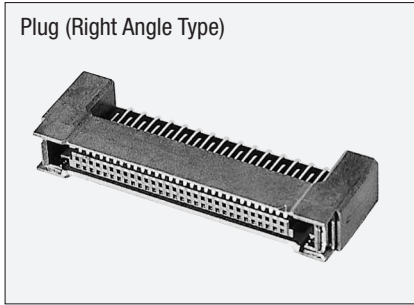
No. of contacts	Part Number	A	B	C	D	E	F	G
40	DJ13-040FL-□-F	34.3 (1.350)	33.2 (1.307)	29.8 (1.173)	19.0 (0.748)	32.36 (1.274)	25.4 (1.000)	21.0 (0.827)
50	DJ13-050FL-□-F	39.3 (1.547)	38.2 (1.504)	34.8 (1.370)	24.0 (0.945)	37.36 (1.471)	30.4 (1.197)	26.0 (1.024)
60	DJ13-060FL-□-F	44.3 (1.744)	43.2 (1.701)	39.8 (1.567)	29.0 (1.142)	42.36 (1.668)	35.4 (1.394)	31.0 (1.220)
80	DJ13-080FL-□-F	54.3 (2.138)	53.2 (2.094)	49.8 (1.961)	39.0 (1.535)	52.36 (2.061)	45.4 (1.787)	41.0 (1.614)

### DJ14-□□□L-F (Plug, Without power contacts)

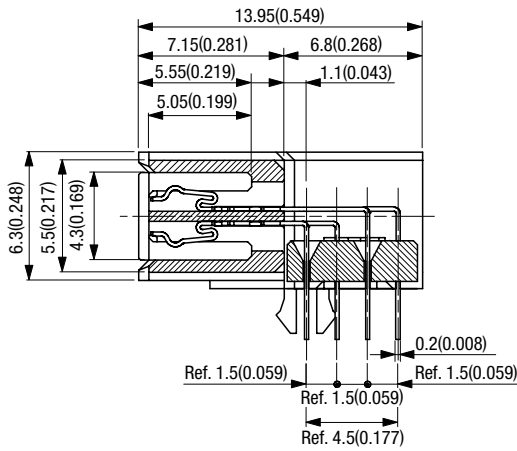
Mating Connector : DJ04-□□□S-F

Unit:mm(inch)

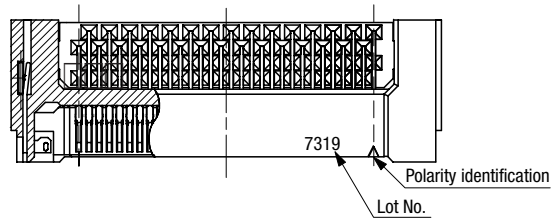
Plug (Right Angle Type)



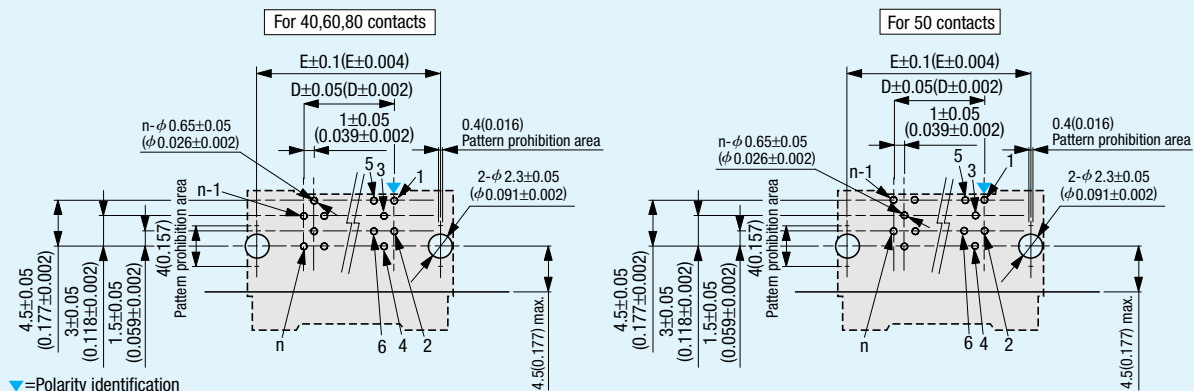
X-X' Cross Section



Y-Y' Cross Section



### Printed Circuit Board Layout (Component Side View)



Recommended PCB Thickness  $t=1.2^{+0.3}_{-0.1}$ (0.047<sup>+0.008</sup><sub>-0.004</sub>)  
\*“n” is number of contacts.

Product Table / Dimensions

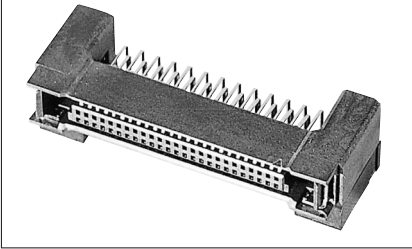
No. of contacts	Part Number	A	B	C	D	E	F
40	DJ14-040L-F	32.3 (1.272)	31.2 (1.228)	27.8 (1.094)	19.0 (0.748)	30.36 (1.195)	21.8 (0.858)
50	DJ14-050L-F	37.3 (1.469)	36.2 (1.425)	32.8 (1.291)	24.0 (0.945)	35.36 (1.392)	26.8 (1.055)
60	DJ14-060L-F	42.3 (1.665)	41.2 (1.662)	37.8 (1.488)	29.0 (1.142)	40.36 (1.589)	31.8 (1.252)
80	DJ14-080L-F	52.3 (2.059)	51.2 (2.016)	47.8 (1.882)	39.0 (1.535)	50.36 (1.983)	41.8 (1.646)

**DJ14-□□□FL-□-F (Plug, Without power contacts)**

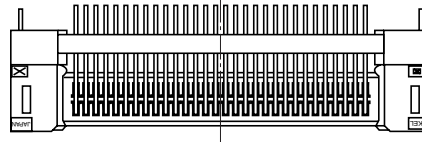
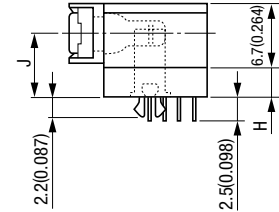
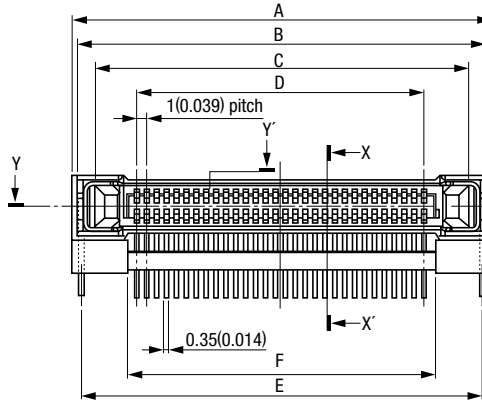
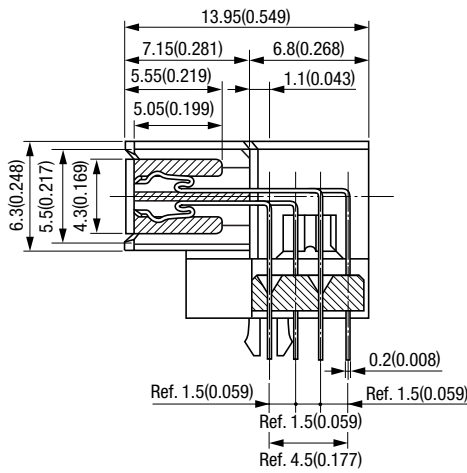
**Mating Connector : DJ04-□□□S-F**

Unit:mm(inch)

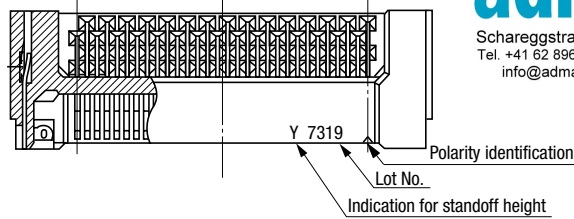
Plug (Selective Right Angle Type)



**X-X' Cross Section**

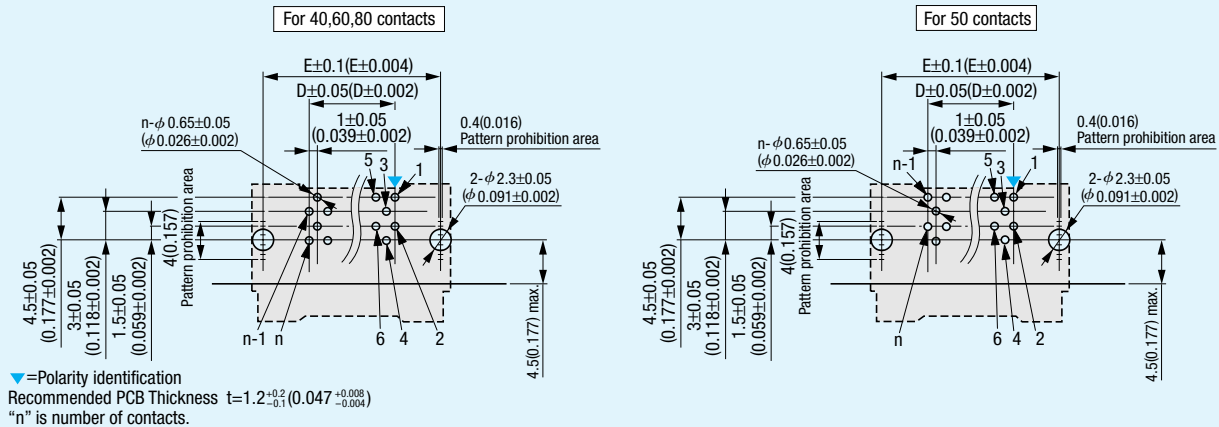


**Y-Y' Cross Section**



Schareggstrasse 3, CH-5506 Mägenwil  
 Tel. +41 62 896 00 48, Fax. +41 62 896 25 80  
 info@admatec.ch, www.admatec.ch

**Printed Circuit Board Layout (Component Side View)**



**Product Table / Connector Height**

Part Number	Connector Height	H	J
DJ14-□□□FL-T-F	7.7 (0.303)	1.0 (0.039)	4.55 (0.179)
DJ14-□□□FL-V-F	8.7 (0.343)	2.0 (0.079)	5.55 (0.219)
DJ14-□□□FL-Y-F	9.7 (0.382)	3.0 (0.118)	6.55 (0.258)
DJ14-□□□FL-Z-F	10.7 (0.421)	4.0 (0.157)	7.55 (0.297)

**Product Table / Dimensions**

No. of contacts	Part Number	A	B	C	D	E	F
40	DJ14-040FL-□-F	32.3 (1.272)	31.2 (1.228)	27.8 (1.094)	19.0 (0.748)	30.36 (1.195)	21.0 (0.827)
50	DJ14-050FL-□-F	37.3 (1.469)	36.2 (1.425)	32.8 (1.291)	24.0 (0.945)	35.36 (1.392)	26.0 (1.024)
60	DJ14-060FL-□-F	42.3 (1.665)	41.2 (1.622)	37.8 (1.488)	29.0 (1.142)	40.36 (1.589)	31.0 (1.220)
80	DJ14-080FL-□-F	52.3 (2.059)	51.2 (2.016)	47.8 (1.882)	39.0 (1.535)	50.36 (1.983)	41.0 (1.614)

Specifications and dimensions are subject to change without notice.