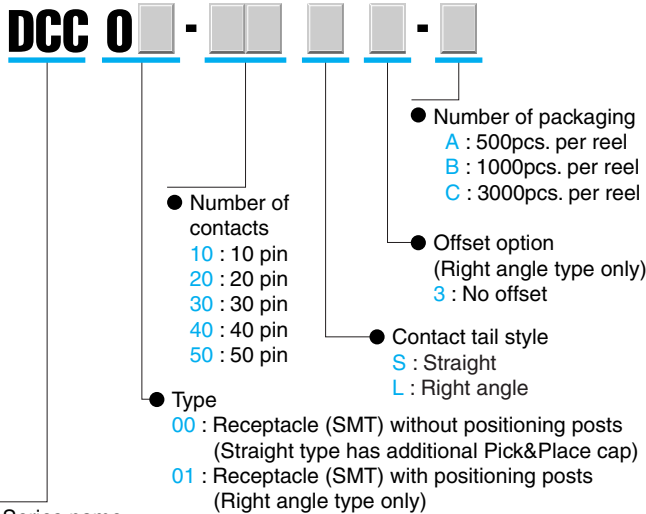


FEATURES

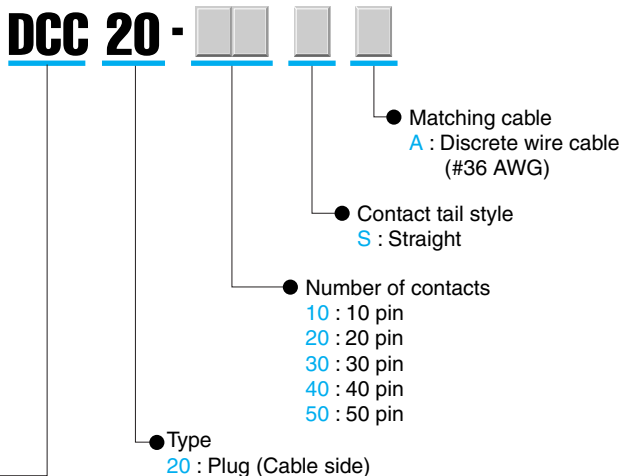
- Ultra low profile (1.2mm for 10, 20 and 30 pins. 1.5mm for 40 and 50 pins) with 0.5mm pitch
- Mating dimensions
3.8mm : 10, 20 and 30 pins
4.45mm : 40 and 50 pins
- Designed for micro discrete wire cable (AWG#36)
- IDC Cable assembly. (No solder connection)
- 2.75mm width (10, 20 and 30 pins) for Plug (Cable side) allows inserting the cables through narrow hinge shafts (3.4mm width for 40 and 50 pins)
- Original four point cable retention structure improves anti-nipping and twisting durability.
- Half locking mechanism with sensible "Click" assures reliable connection and prevents accidental disengage.
- Selective positioning posts for Right angle/Receptacle
- Designed to prevent mis-insertion
- Five sizes : 10, 20, 30, 40 and 50 pins
- Suction area for automated mounting provided on Receptacle (PCB side)
- PCB side (Receptacle): Right angle type
Straight type
Cable end (Plug) : Straight type
- RoHS compliance

ORDER CODE



- Series name
DCC : 0.5mm pitch IDC connector for micro discrete wire cable

ORDER CODE



- Series name
DCC : 0.5mm pitch IDC connector for micro discrete wire cable

SPECIFICATIONS

- Insulator material : Glass-filled LCP (UL94V-0), Black
- Contact material : Copper alloy
- Contact plating : Gold (0.05 μ m min.) over Nickel (1-3 μ m)
- IDC cover material : Glass-filled LCP(UL94V-0), Off white
- SMT retention clip : Copper alloy
- SMT retention clip plating : Tin copper (1-4 μ m) over Nickel (1-3 μ m)
- Current rating : 0.3A per contact
- Contact resistance : 100m Ω max.
- Dielectric withstanding voltage : 200V AC for 1 minute
- Insulation resistance : 100M Ω min. at 250V DC
- Operating temperature : -40°C to +85°C

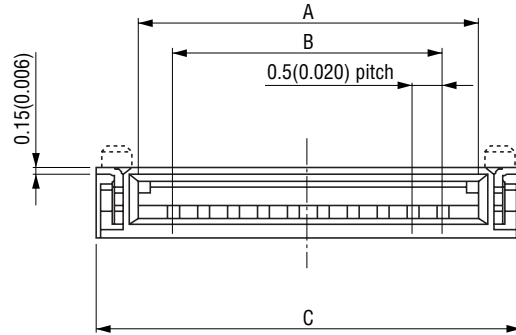
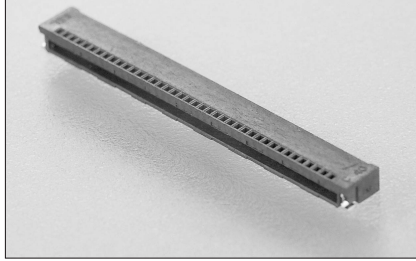
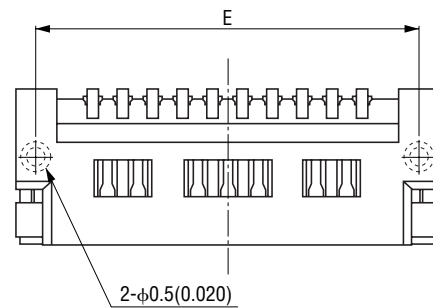
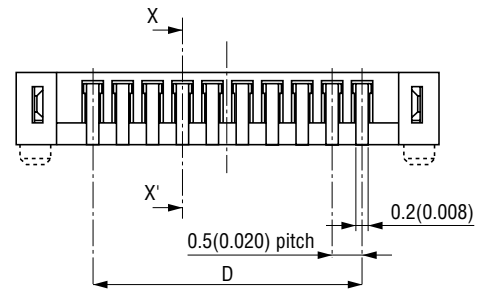
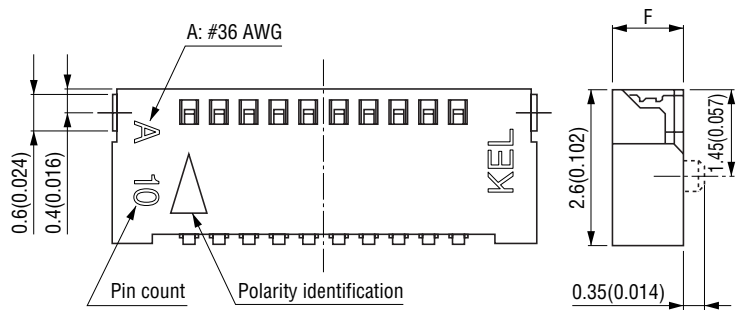
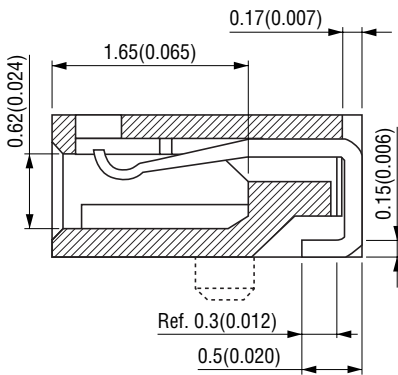
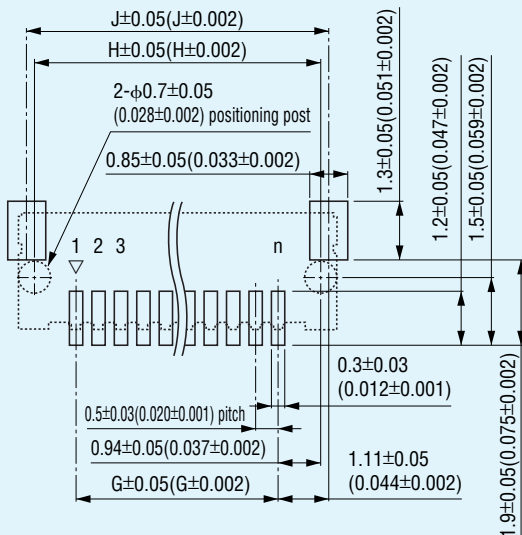
admatec

Schareggstrasse 3, CH-5506 Mägenwil
Tel. +41 62 896 00 48, Fax. +41 62 896 25 80
info@admaterc.ch, www.admaterc.ch

DCC0□-□□L3-□ (Receptacle, Right angle)

Unit:mm(inch)

Receptacle (SMT Right Angle Type)


X-X' Cross Section

Printed Circuit Board Layout (Component Side View)

 ▽=Polarity identification
 "n" is number of contacts.

Product Table / Dimensions

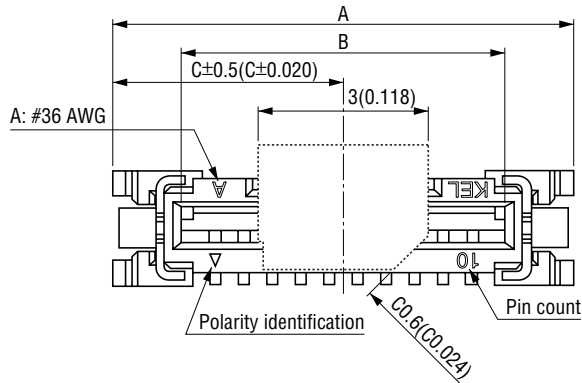
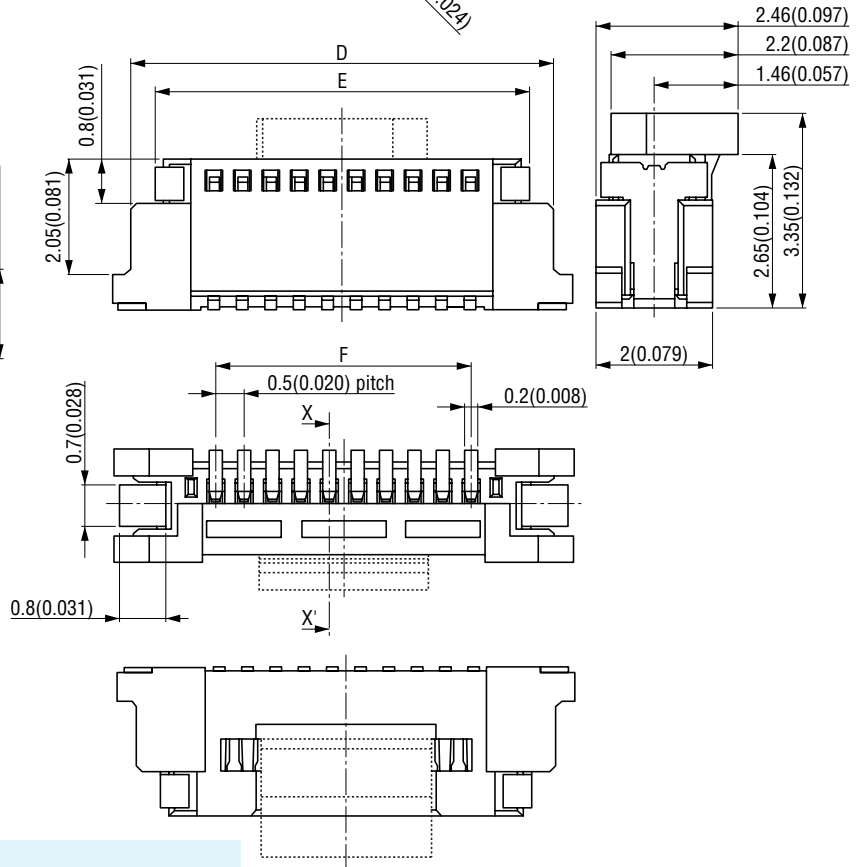
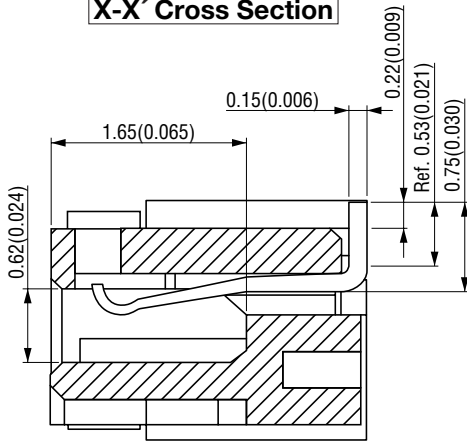
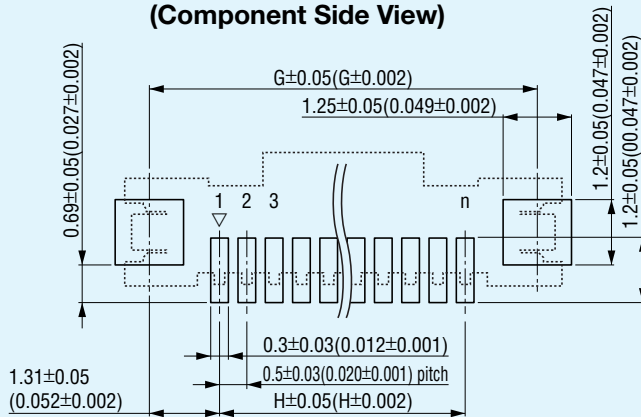
No. of contacts	Part Number	A	B	C	D	E	F	G	H	J
10	DCC0□-10L3-□	5.67 (0.223)	4.5 (0.177)	7.07 (0.278)	4.5 (0.177)	6.38 (0.251)	1.2 (0.047)	4.5 (0.177)	6.38 (0.251)	6.72 (0.265)
20	DCC0□-20L3-□	10.67 (0.420)	9.5 (0.374)	12.07 (0.475)	9.5 (0.374)	11.38 (0.448)	1.2 (0.047)	9.5 (0.374)	11.38 (0.448)	11.72 (0.461)
30	DCC0□-30L3-□	15.67 (0.617)	14.5 (0.571)	17.07 (0.672)	14.5 (0.571)	16.38 (0.645)	1.2 (0.047)	14.5 (0.571)	16.38 (0.645)	16.72 (0.658)
40	DCC0□-40L3-□	20.67 (0.814)	19.5 (0.768)	22.07 (0.869)	19.5 (0.768)	21.38 (0.842)	1.5 (0.059)	19.5 (0.768)	21.38 (0.842)	21.72 (0.855)
50	DCC0□-50L3-□	25.67 (1.011)	24.5 (0.965)	27.07 (1.066)	24.5 (0.965)	26.38 (1.039)	1.5 (0.059)	24.5 (0.965)	26.38 (1.039)	26.72 (1.052)

DCC00 - □□S - □ (Receptacle, Straight)

Receptacle (SMT Straight Type)



Unit:mm(inch)

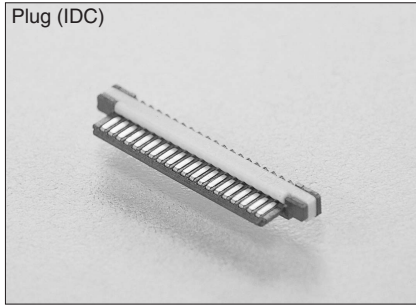

X-X' Cross Section

Printed Circuit Board Layout (Component Side View)

 ▽=Polarity identification
 "n" is number of contacts.

Product Table / Dimensions

No. of contacts	Part Number	A	B	C	D	E	F	G	H
10	DCC00-10S-□	8.07 (0.318)	5.67 (0.223)	4.04 (0.159)	7.41 (0.292)	6.57 (0.259)	4.5 (0.177)	7.12 (0.280)	4.5 (0.177)
20	DCC00-20S-□	13.07 (0.515)	10.67 (0.420)	6.54 (0.257)	12.41 (0.489)	11.57 (0.456)	9.5 (0.374)	12.12 (0.477)	9.5 (0.374)
30	DCC00-30S-□	18.07 (0.711)	15.67 (0.617)	9.04 (0.356)	17.41 (0.685)	16.57 (0.652)	14.5 (0.571)	17.12 (0.674)	14.5 (0.571)
40	DCC00-40S-□	23.07 (0.908)	20.67 (0.814)	11.54 (0.454)	22.41 (0.882)	21.57 (0.849)	19.5 (0.768)	22.12 (0.871)	19.5 (0.768)
50	DCC00-50S-□	28.07 (1.105)	25.67 (1.011)	14.04 (0.553)	27.41 (1.079)	26.57 (1.046)	24.5 (0.965)	27.12 (1.068)	24.5 (0.965)

DCC20-□□SA (Plug, Straight, 10, 20 and 30 pins)

Plug (IDC)

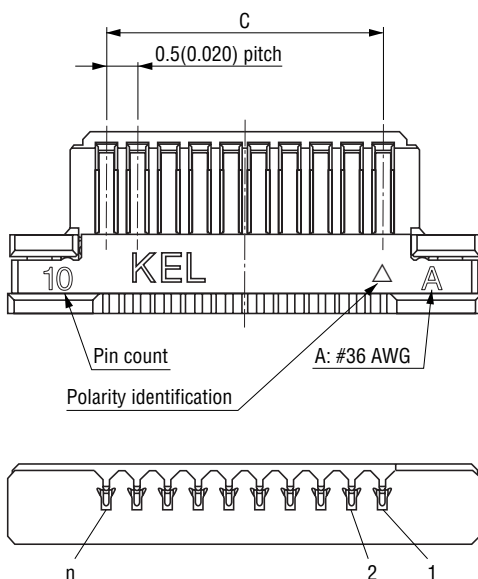
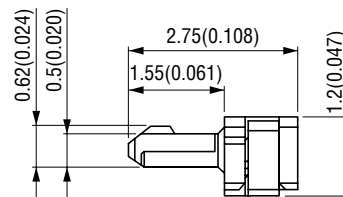
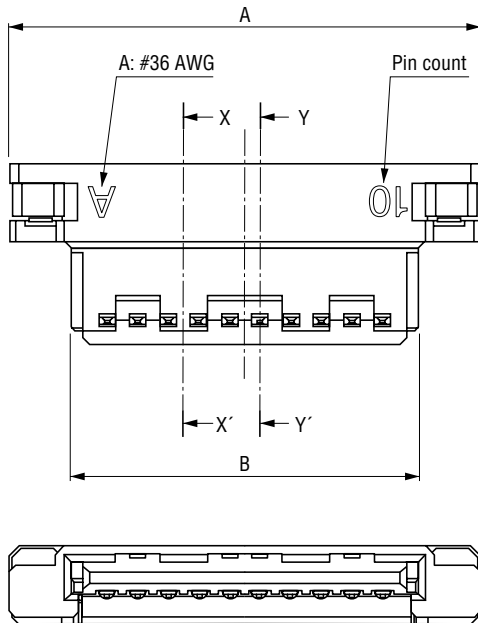
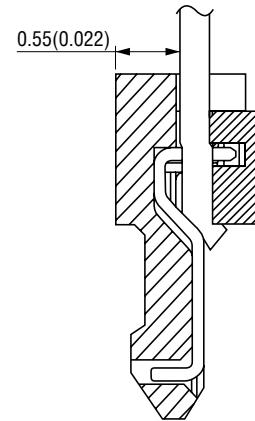
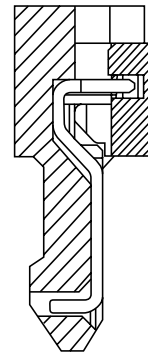
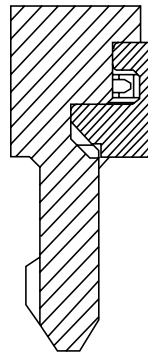
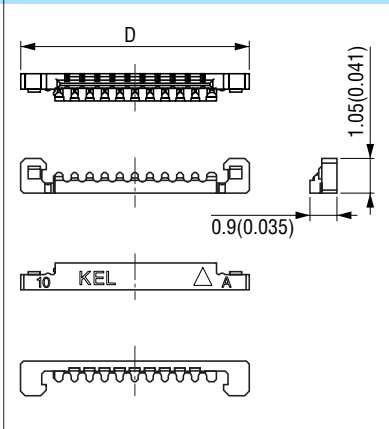
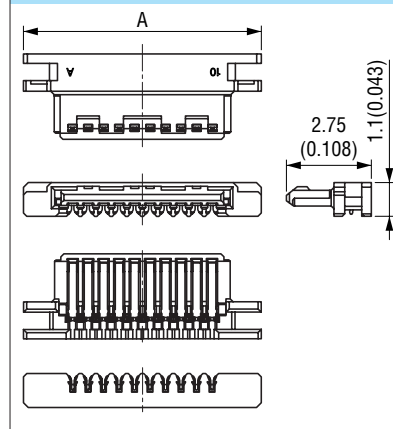


Unit:mm(inch)

X-X' Cross Section

Y-Y' Cross Section

With Cable


DCC20-□□SA (Base)
DCC20-□□ (IDC Cover)

Product Table / Dimensions

No. of contacts	Part Number	A	B	C	D
10	DCC20-10SA	7.67 (0.302)	5.67 (0.223)	4.5 (0.177)	7.57 (0.298)
20	DCC20-20SA	12.67 (0.499)	10.67 (0.420)	9.5 (0.374)	12.57 (0.495)
30	DCC20-30SA	17.67 (0.696)	15.67 (0.617)	14.5 (0.571)	17.57 (0.692)

"n" is number of contacts.

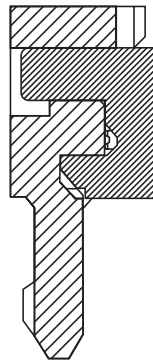
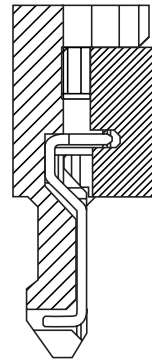
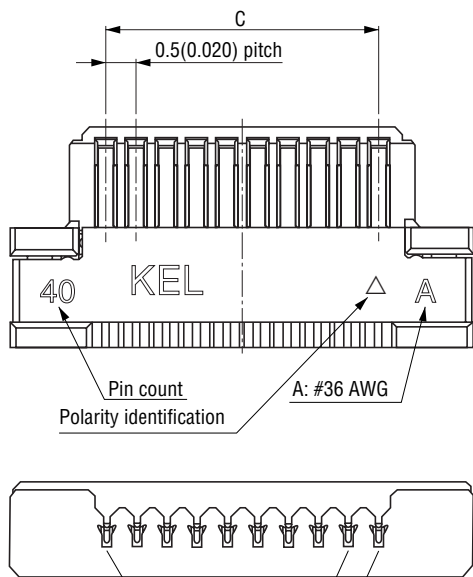
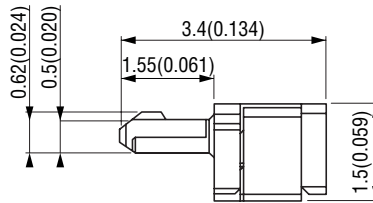
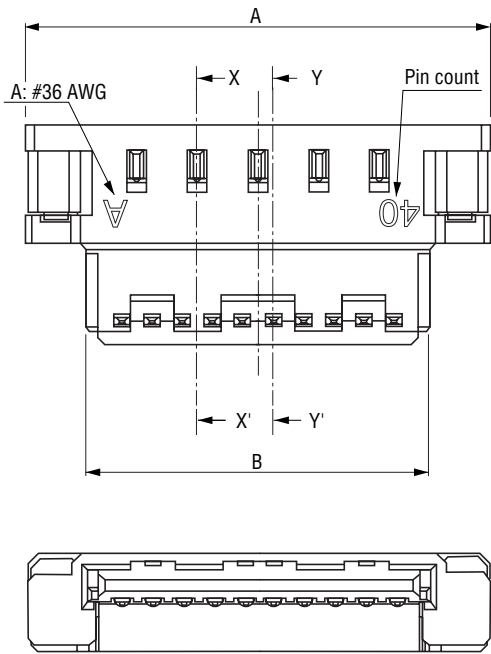
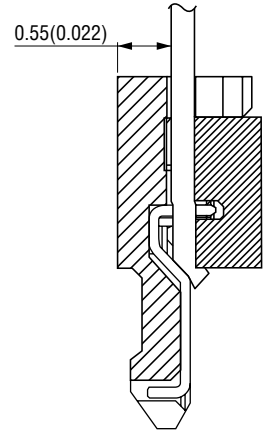
 DCC20-□□SA(Base) and DCC20-□□SA(IDC Cover)
are component parts of DCC20-□□SA.

DCC20-□□SA (Plug, Straight, 40 and 50 pins)

Plug (IDC)

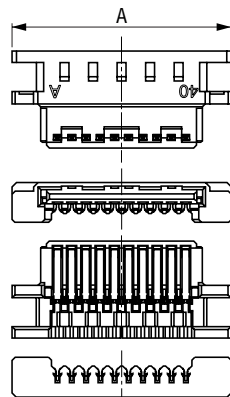
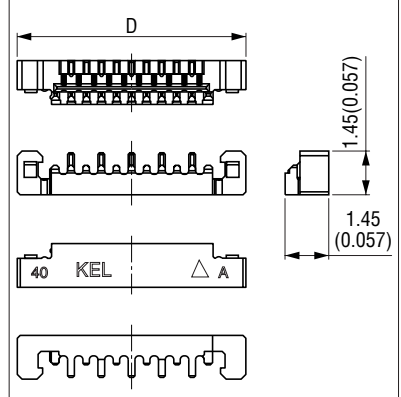


Unit:mm(inch)

X-X' Cross Section

Y-Y' Cross Section

With Cable


"n" is number of contacts.

 DCC20-□□SA(Base) and DCC20-□□SA(IDC Cover)
are component parts of DCC20-□□SA.

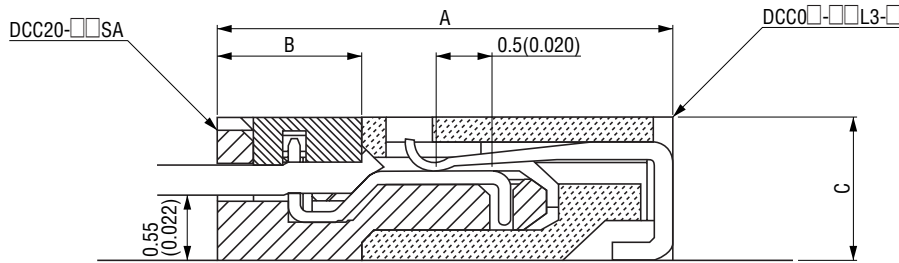
DCC20-□□SA (Base)

DCC20-□□ (IDC Cover)

Product Table / Dimensions

No. of contacts	Part Number	A	B	C	D
40	DCC20-40SA	22.67 (0.893)	20.67 (0.814)	19.5 (0.768)	22.57 (0.889)
50	DCC20-50SA	27.67 (1.089)	25.67 (1.011)	24.5 (0.965)	27.57 (1.085)

Mating Variation

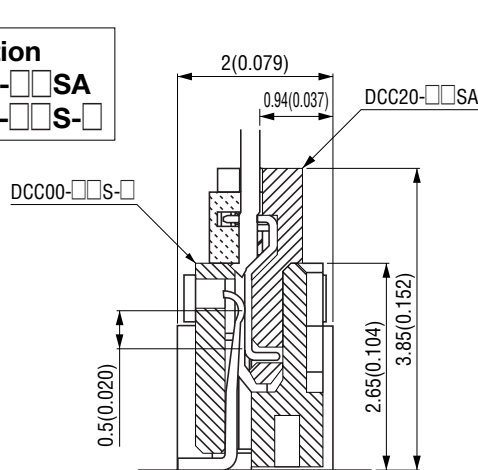
Mating Cross Section
Plug : DCC20-□□SA
Receptacle : DCC0□-□□L3-□

Unit:mm(inch)

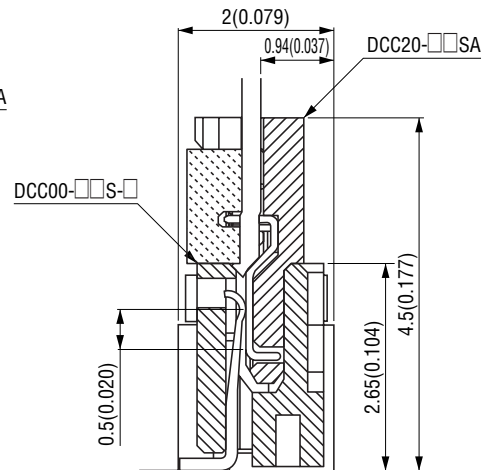

Dimensions

No. of contacts	A	B	C
10	3.8 (0.150)	1.2 (0.047)	1.2 (0.047)
20	3.8 (0.150)	1.2 (0.047)	1.2 (0.047)
30	3.8 (0.150)	1.2 (0.047)	1.2 (0.047)
40	4.45 (0.175)	1.85 (0.073)	1.5 (0.059)
50	4.45 (0.175)	1.85 (0.073)	1.5 (0.059)

Mating Cross Section
Plug : DCC20-□□SA
Receptacle : DCC00-□□S-□



10, 20 and 30 pins



40 and 50 pins

Termination Equipment

- Special termination tool is available.
Please contact your local sales office.



- DCC20 termination machine
(Designed for AC100V)
Part Number: DCC20-JIG
*Seating Punch, Seating Base Module, Connector Support Module and Connector Guide are not including.
Depends on your local area, required universal AC-AC convertor.



- Seating Punch
Part Number
DCC20-PNC(10-30P)
: for 10, 20 and 30 pins.
DCC20-PNC(31-50P)
: for 40 and 50 pins.



- Seating Base Module
Part Number
DCC20-PAT



- Connector Support Module
Part Number
DCC20-UKE(10-30P)
: for 10, 20 and 30 pins
DCC20-UKE(31-50P)
: for 40 and 50 pins



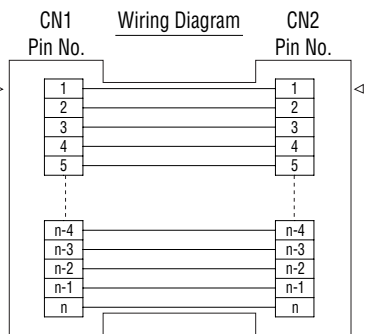
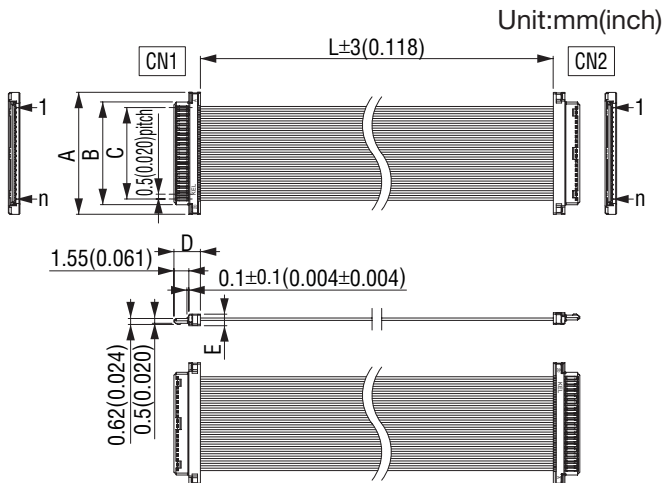
- Connector Guide
Part Number
DCC20-GID(10P): for 10 pin
DCC20-GID(20P): for 20 pin
DCC20-GID(30P): for 30 pin
DCC20-GID(40P): for 40 pin
DCC20-GID(50P): for 50 pin

ORDER CODE
DCC 20 - SSA - B

- Wiring Code
B : Pin 1 to Pin 1
- Cable length(cm)
L : Dimension
(Example:015=15cm)
- Cable type
A : Discreat wire cable
(#36 AWG)
- Connector Style(Right side,CN2)
S : Straight
- Connector Style(Left side,CN1)
S : Straight
- Type
20 : Plug (Cable side)
- Number of contacts
10 : 10 pin
20 : 20 pin
30 : 30 pin
40 : 40 pin
50 : 50 pin
- Series name
DCC : 0.5mm pitch IDC connector for discrete wire cable (#36 AWG)

ORDER CODE
DCC 20 - SSA - C

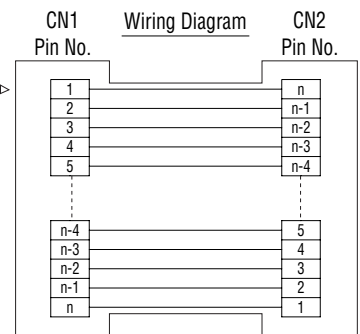
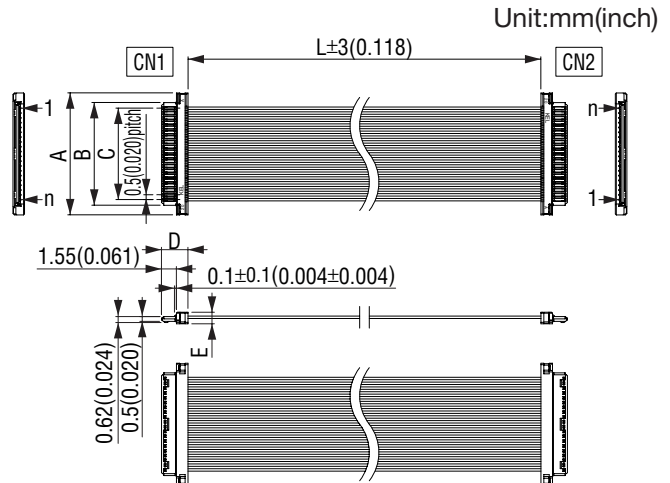
- Wiring Code
C : Pin 1 to Pin n
* "n" is number of contacts
- Cable length(cm)
L : Dimension
(Example:015=15cm)
- Cable type
A : Discreat wire cable
(#36 AWG)
- Connector Style(Right side,CN2)
S : Straight
- Connector Style(Left side,CN1)
S : Straight
- Type
20 : Plug (Cable side)
- Number of contacts
10 : 10 pin
20 : 20 pin
30 : 30 pin
40 : 40 pin
50 : 50 pin
- Series name
DCC : 0.5mm pitch IDC connector for discrete wire cable (#36 AWG)



**"n" is number of contacts
▽=Polarity identification

Product Table / Dimensions

No. of contacts	Part Number	A	B	C	D	E
10	DCC20-10SSA-□□□-B	7.67 (0.302)	5.67 (0.223)	4.5 (0.177)	2.75 (0.108)	1.2 (0.047)
20	DCC20-20SSA-□□□-B	12.67 (0.499)	10.67 (0.420)	9.5 (0.374)	2.75 (0.108)	1.2 (0.047)
30	DCC20-30SSA-□□□-B	17.67 (0.696)	15.67 (0.617)	14.5 (0.571)	2.75 (0.108)	1.2 (0.047)
40	DCC20-40SSA-□□□-B	22.67 (0.893)	20.67 (0.814)	19.5 (0.768)	3.40 (0.134)	1.5 (0.059)
50	DCC20-50SSA-□□□-B	27.67 (1.089)	25.67 (1.011)	24.5 (0.965)	3.40 (0.134)	1.5 (0.059)



**"n" is number of contacts
▽=Polarity identification

Product Table / Dimensions

No. of contacts	Part Number	A	B	C	D	E
10	DCC20-10SSA-□□□-C	7.67 (0.302)	5.67 (0.223)	4.5 (0.177)	2.75 (0.108)	1.2 (0.047)
20	DCC20-20SSA-□□□-C	12.67 (0.499)	10.67 (0.420)	9.5 (0.374)	2.75 (0.108)	1.2 (0.047)
30	DCC20-30SSA-□□□-C	17.67 (0.696)	15.67 (0.617)	14.5 (0.571)	2.75 (0.108)	1.2 (0.047)
40	DCC20-40SSA-□□□-C	22.67 (0.893)	20.67 (0.814)	19.5 (0.768)	3.40 (0.134)	1.5 (0.059)
50	DCC20-50SSA-□□□-C	27.67 (1.089)	25.67 (1.011)	24.5 (0.965)	3.40 (0.134)	1.5 (0.059)

Specifications and dimensions are subject to change without notice.