

FEATURES

- Simple structure
(Composed of fewer parts than other manufactures)
- Original "Seesaw" contact design
- Strengthening Guide Type
- Ultra low profile with 5.3mm (0.209") height
- With card detection switch
- High durability for IC card insertion/withdrawal
(200,000 times min. guaranty)
- SMT terminals
- With positioning posts and retention clips
- RoHS compliance

SPECIFICATIONS

- Insulator material : Base ; Glass-filled LCP (UL 94V-0), Black
Cover ; Glass-filled PPS (UL 94V-0), Black
- Contact material : Copper alloy
- Contact plating :
Contact area ; 0.38 μ m min. Gold over Nickel
Terminal area ; 0.03 μ m min. Gold over Nickel
- Detection switch : Copper alloy
- Switch plating :
Contact area ; 0.38 μ m min. Gold over Nickel
Terminal area ; 0.03 μ m min. Gold over Nickel
- Retention clip : Copper alloy
- Clip plating : 0.03 μ m min. Gold over Nickel
- Current rating :
Contact ; 1A per contact
Detection switch ; 0.1mA to 50mA (0.2VA max.)
- Contact resistance : Contact ; 40m Ω max.
Detection switch ; 100m Ω max.
- Dielectric withstanding voltage : 1,000V AC for 1 minute
- Insulation resistance : 1,000M Ω min. at 500V DC
- Operating temperature : -55°C to +105°C

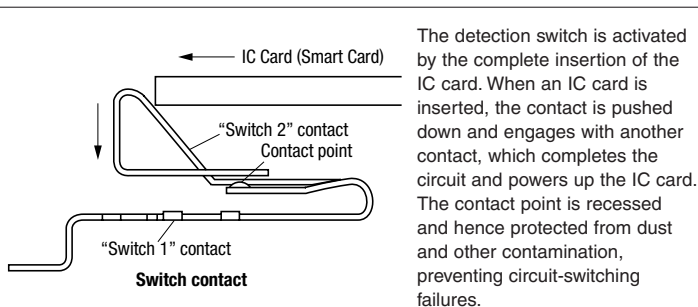
ORDER CODE

ISC3-08 S-5F

 Schareggstrasse 3, CH-5506 Mägenwil
 Tel. +41 62 896 00 48, Fax. +41 62 896 25 80
 info@admatec.ch, www.admatec.ch

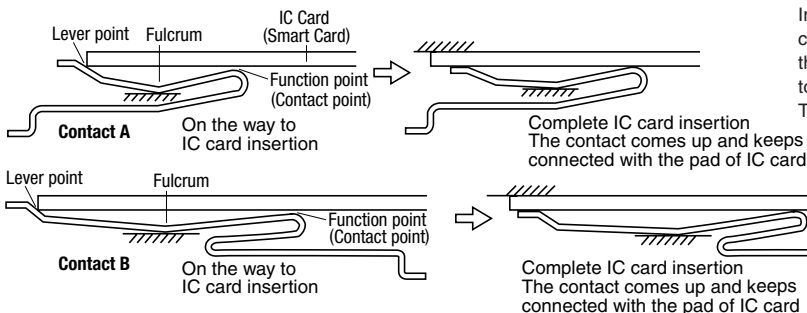
- **F** : RoHS Compliance
- Option
5 : Strengthening guide type
- Guide type
S : Short
- Number of contacts
08 : 8 pin
- Series name
ISC3 : Landing contact type for ISO IC card
(Smart card) connector
(Conforms to ISO/IEC 7816 standards)

"SEESAW" CONTACT CONCEPT



- Electronic toll collection (ETC), Vending machines, Ticket machines, POS terminals, TV set top boxes, Network computers, Automatic teller machines (ATM), Medical ID systems, Electronic wallet card reader, ID/Access control, etc.

APPLICATIONS



In the case of incomplete insertion or partial withdrawal of an IC card, the contacts do not touch the IC card. When the edge of the IC card reaches the lever points, the contact points lift and touches the IC card pad area with a short wiping action. This feature is a unique KEL concept.

ISC3 series is composed of a combination of Contact A (outside) and Contact B (inside).

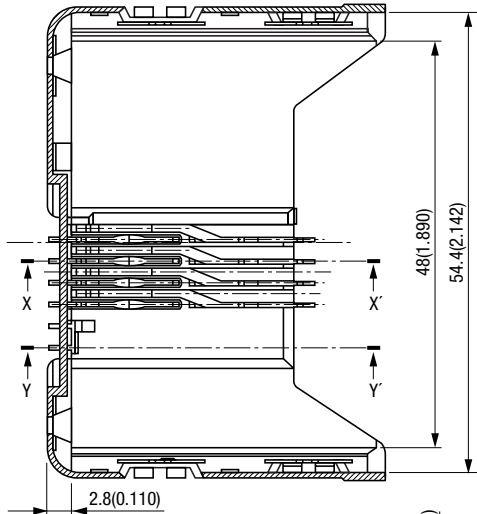
ISC3-08S-5F (Strengthening Guide Type)

Unit:mm(inch)

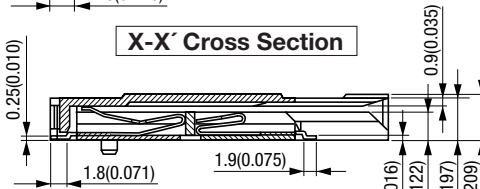


Strengthening Guide Type

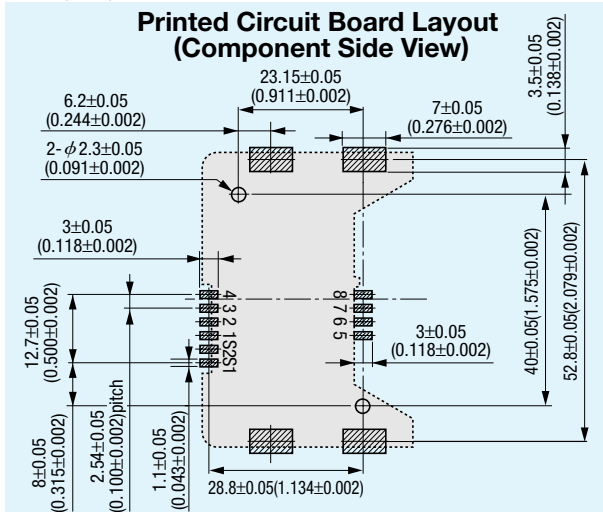
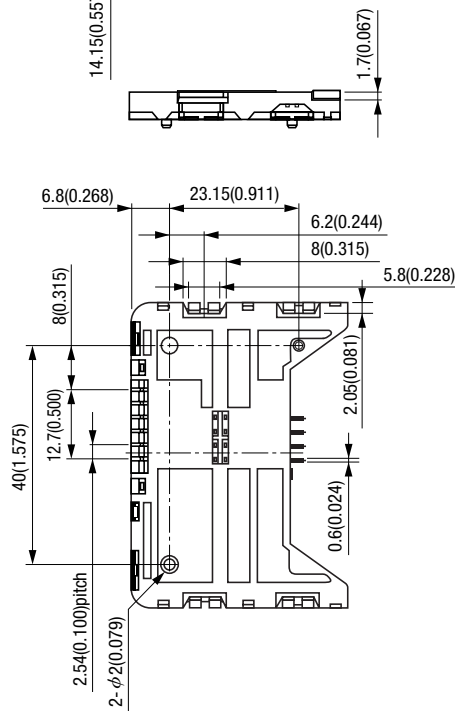
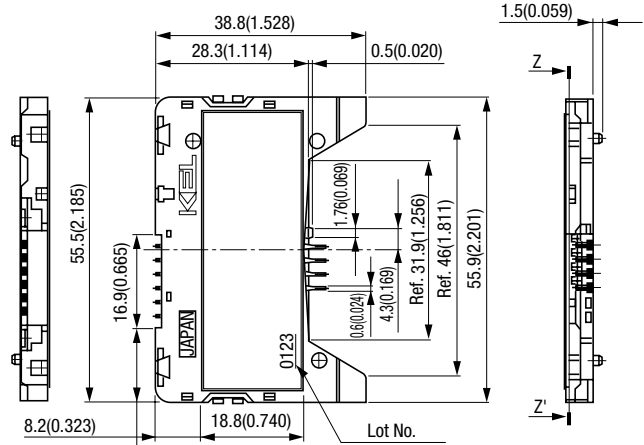
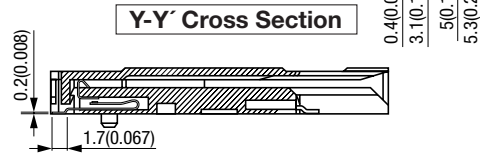
Z-Z' Cross Section



X-X' Cross Section



Y-Y' Cross Section



* It is recommended that the connector be located 12mm or more from the card insertion opening of the equipment that the connector is used in. This 12mm or more dimension, from the outside of the opening to the leading edge of the connector, prevents the card from being displaced by vibration.

